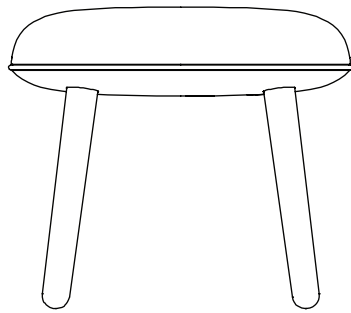


normann

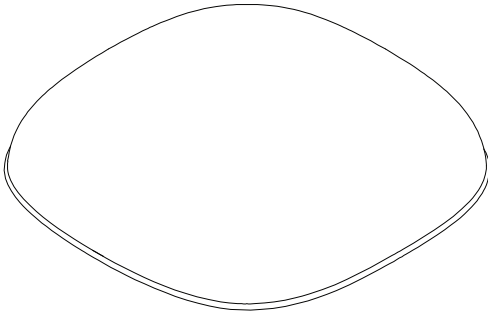
C O P E N H A G E N



ACE

**FOOTSTOOL
ASSEMBLY
INSTRUCTIONS**

OVERVIEW



A x 1



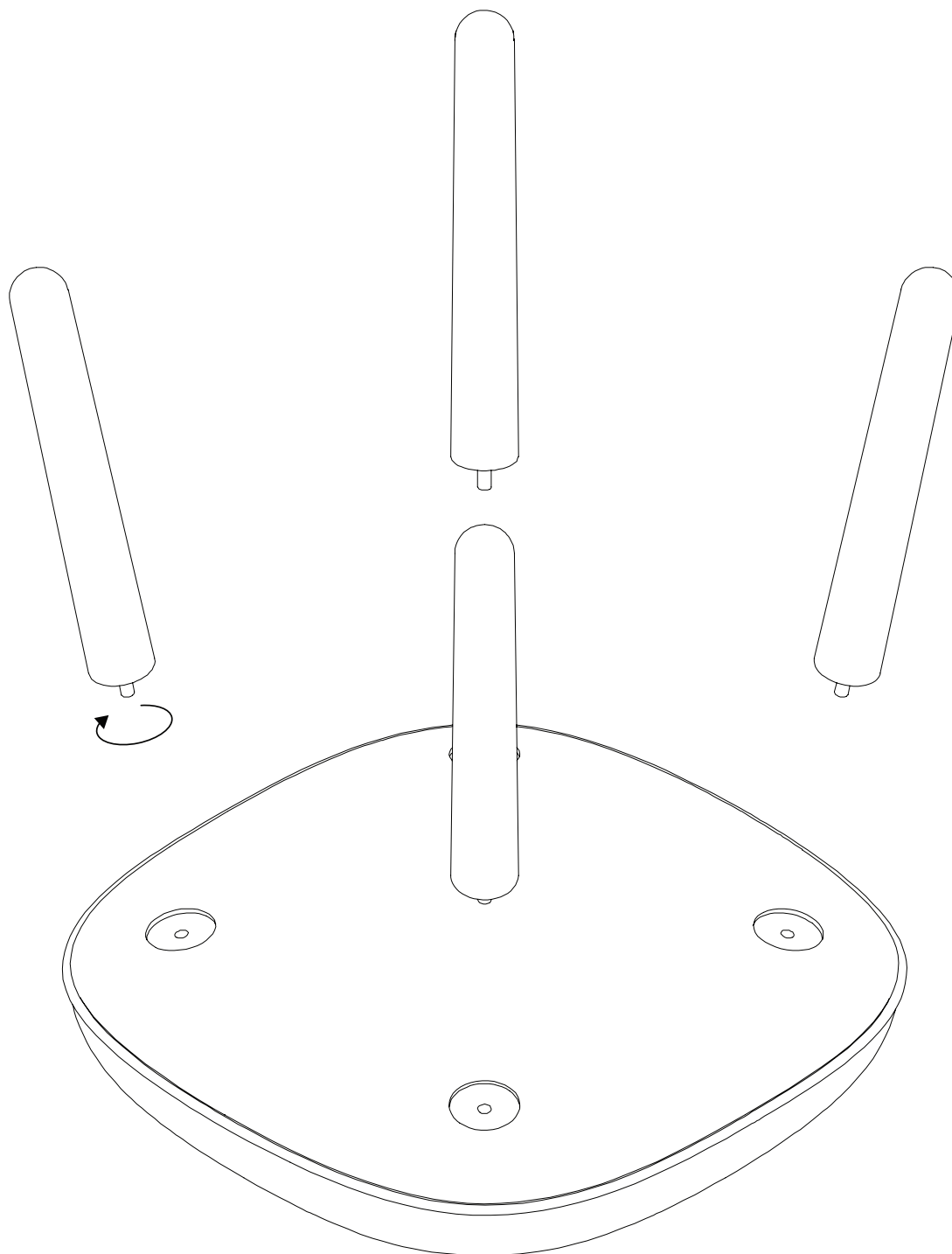
B x 4

normann

C O P E N H A G E N

ACE FOOTSTOOL - ASSEMBLY MANUAL

I



normann

C O P E N H A G E N

Normann Copenhagen · Østerbrogade 70
2100 Copenhagen Ø · Denmark · Tlf. +45 35 55 44 59
normann-copenhagen.com · normann@normann-copenhagen.com