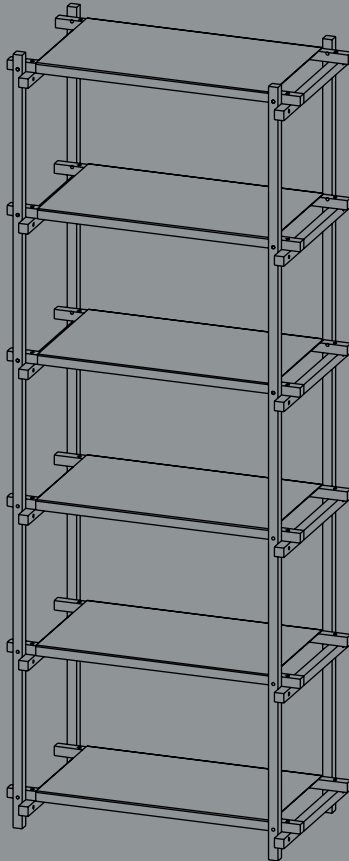


- INSTRUCTION MANUAL -

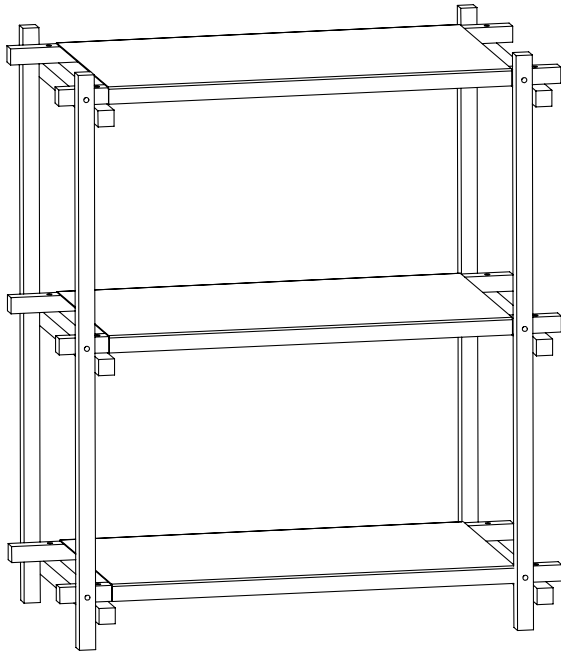
WOODY



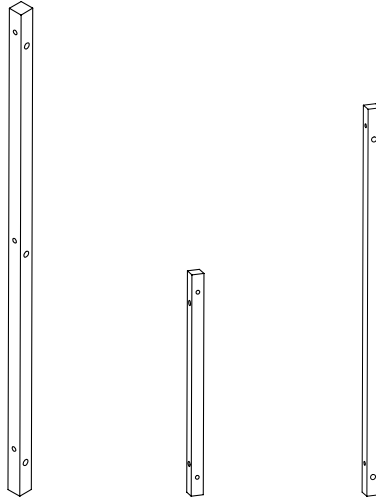
DESIGN BY HAY

HAY

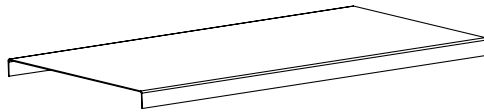
COLUMN LOW



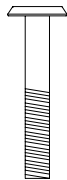
- PARTS -



- A** Upright x4 **B** Ledger x6 **C** Ledger x6



- D** Shelf x3



- E** Screw x36 **F** Cap x36 **G** Allen key x1

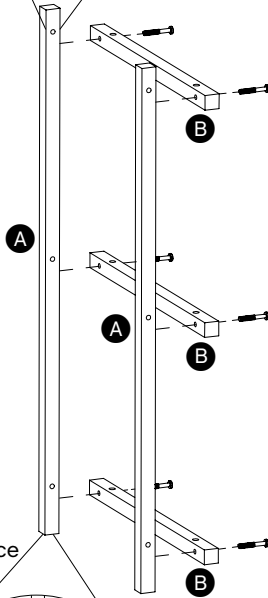
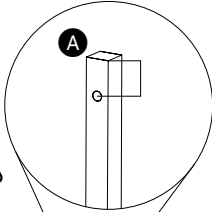
1.

Place the **B** parts on the **A** parts and tighten the screw gently.



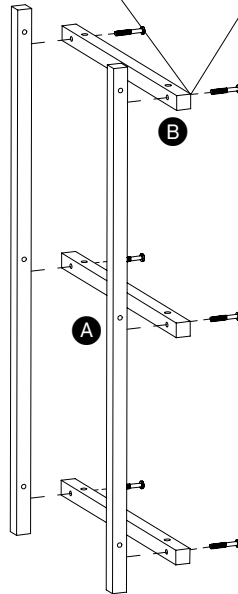
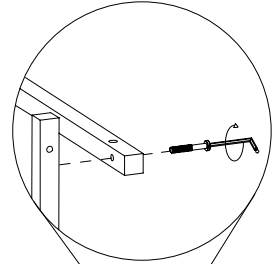
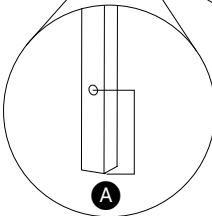
NOTICE

Top distance
37,5 mm



NOTICE

Bottom distance
52,5 mm

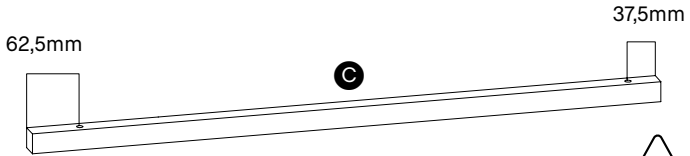


NOTICE

Please wait to fully tighten
the screws until step 3.

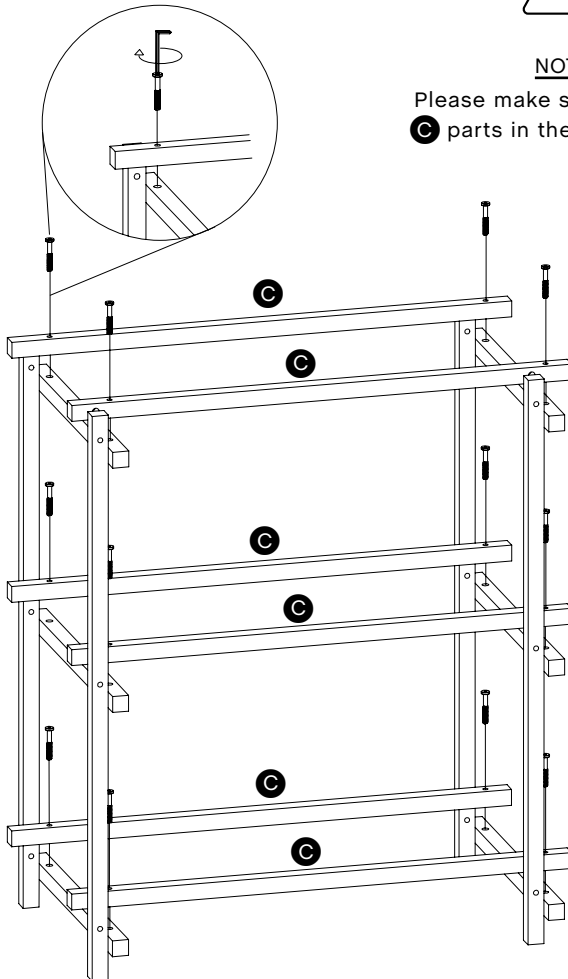
2.

Place the **C** parts on top of the **B** parts and gently tighten the screw.



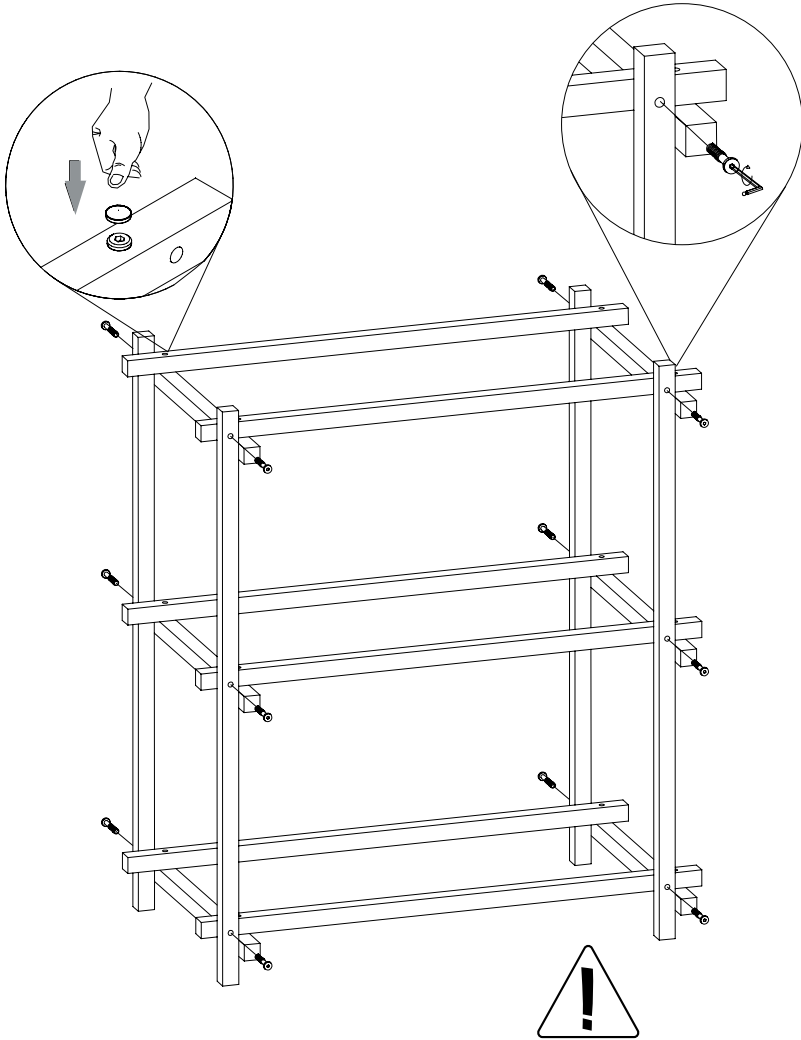
NOTICE

Please make sure to place all **C** parts in the same direction



3.

Place the screws to connect the **A** part and **C** part. Tighten the screw gently. When all screws are placed and fully tightened, place the **F** on the screw heads.

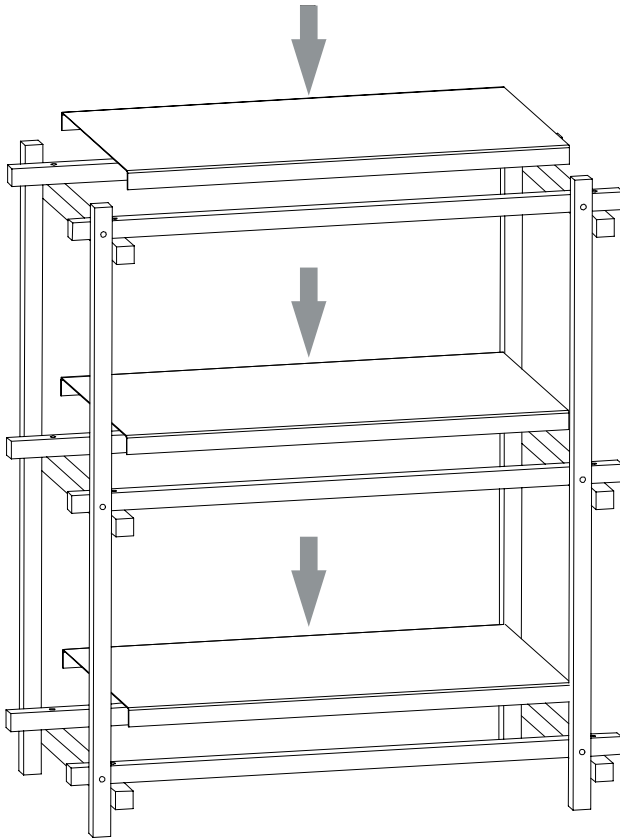


NOTICE

Please make sure to tighten all screws fully before placing the **F** part

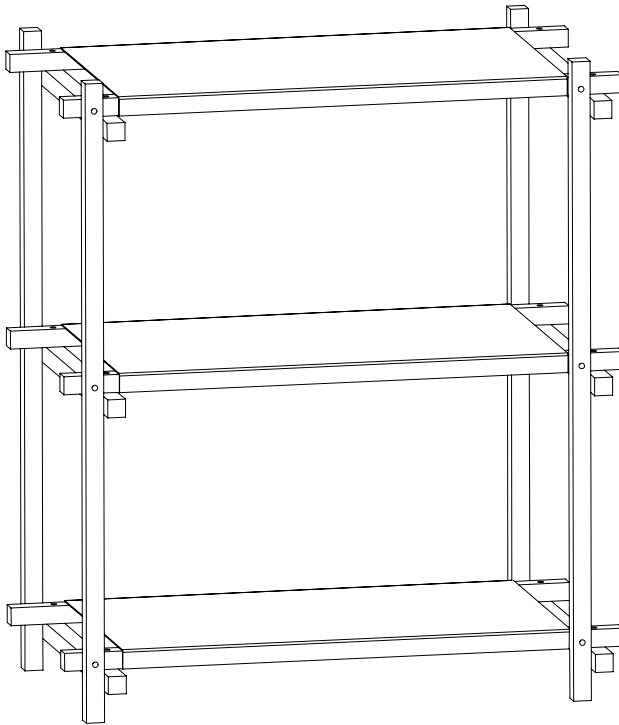
4.

Place the **D** parts on top of the **C** parts.

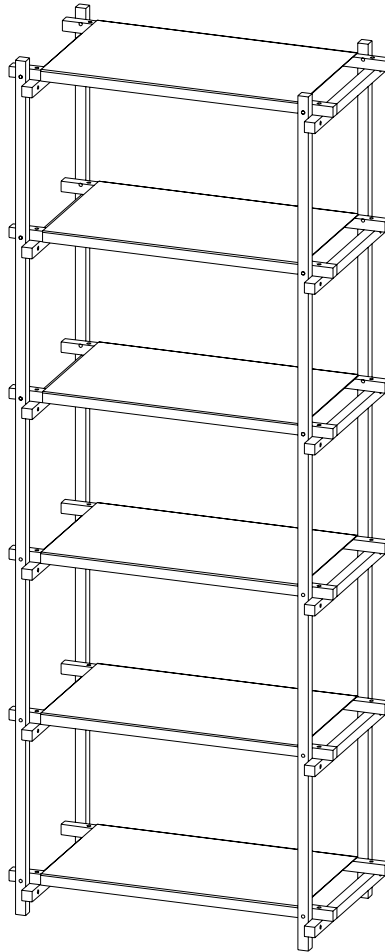


5.

Done!



COLUMN HIGH



- PARTS -



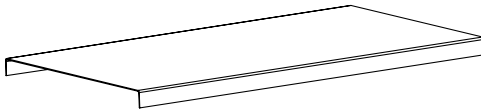
A Upright x4



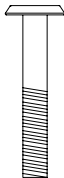
B Ledger x12



C Ledger x12



D Shelf x6



E Screw x72



F Cap x72



G Allen key x1

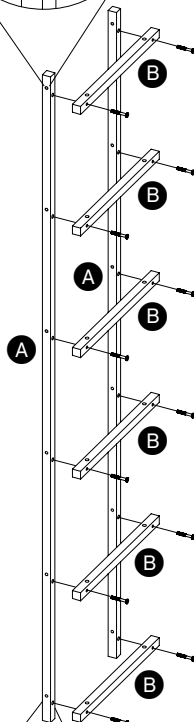
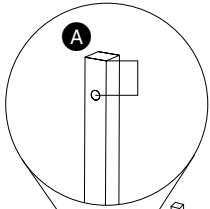
1.

Place the **B** parts on the **A** parts and tighten the screw gently.



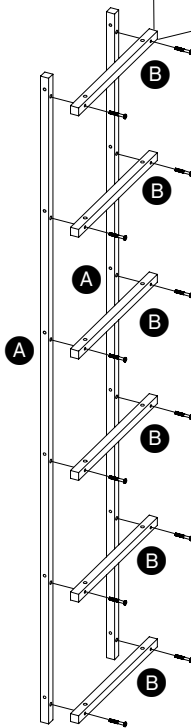
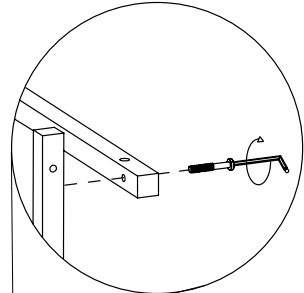
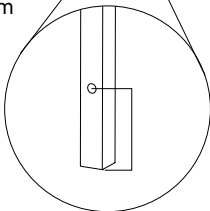
NOTICE

Top distance
37,5 mm



NOTICE

Bottom distance
52,5 mm

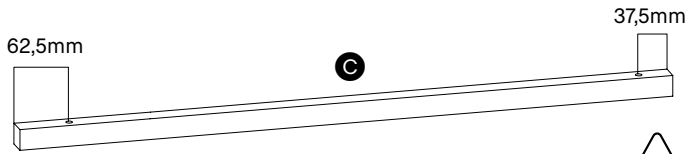


NOTICE

Please wait to fully tighten
the screws until step 3.

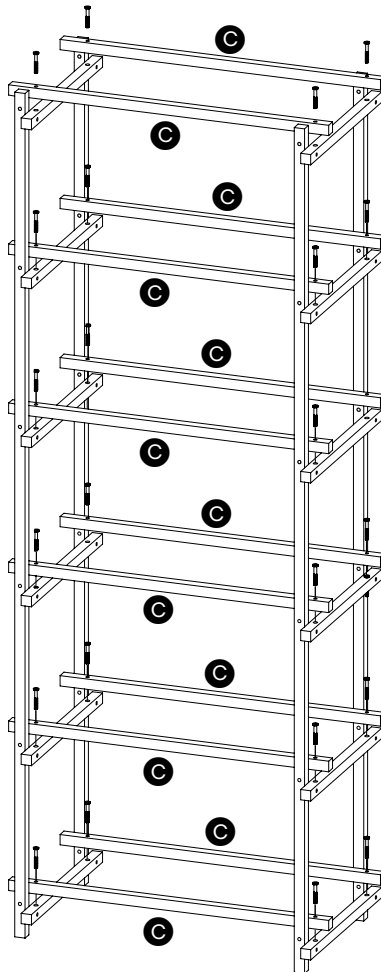
2.

Place the **C** parts on top of the **B** parts and gently tighten the screw.
2 persons are recommended to complete this step.



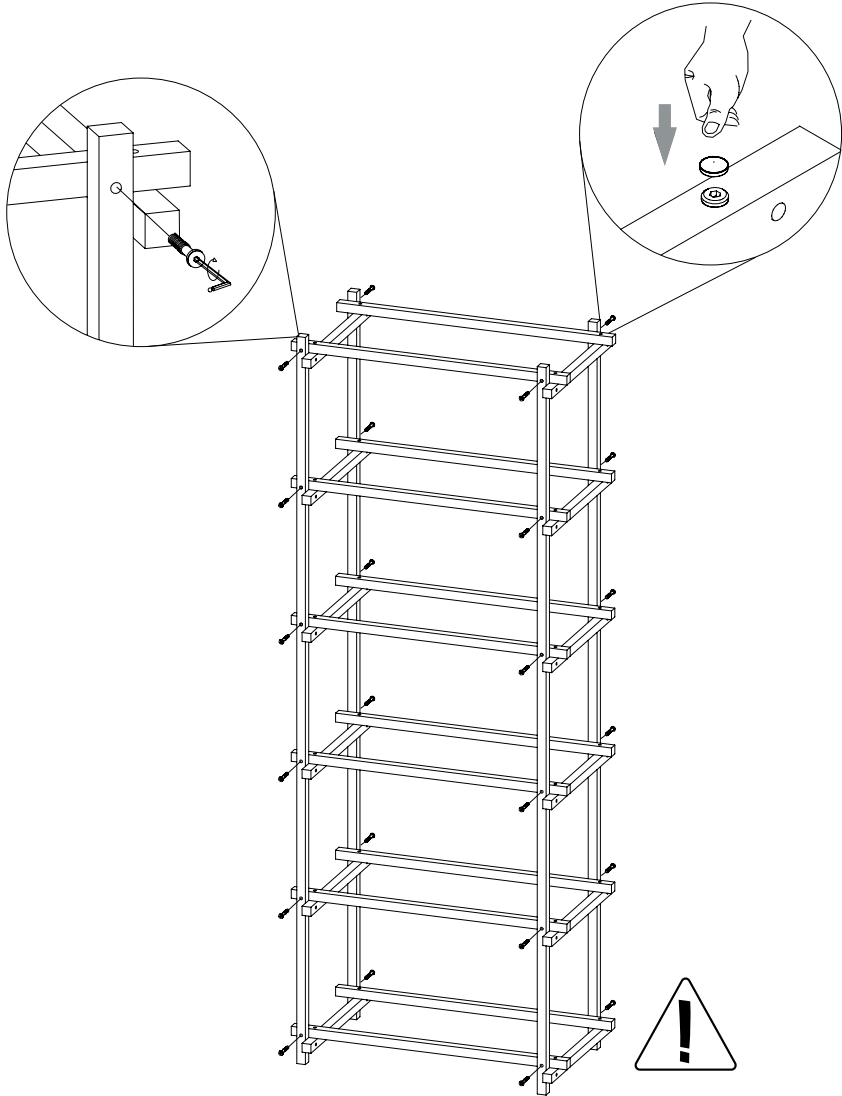
NOTICE

Please make sure to place all **C** parts in the same direction



3.

Place the screw to connect the **A** part and **C** part. Tighten the screw gently. When all screws are placed and fully tightened, place the **F** on the screw heads.

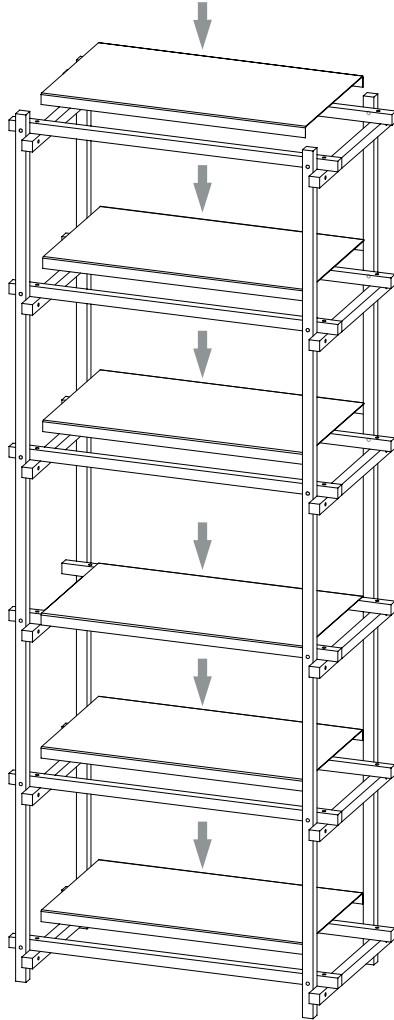


NOTICE

Please make sure to tighten all screws fully before placing the **F** part

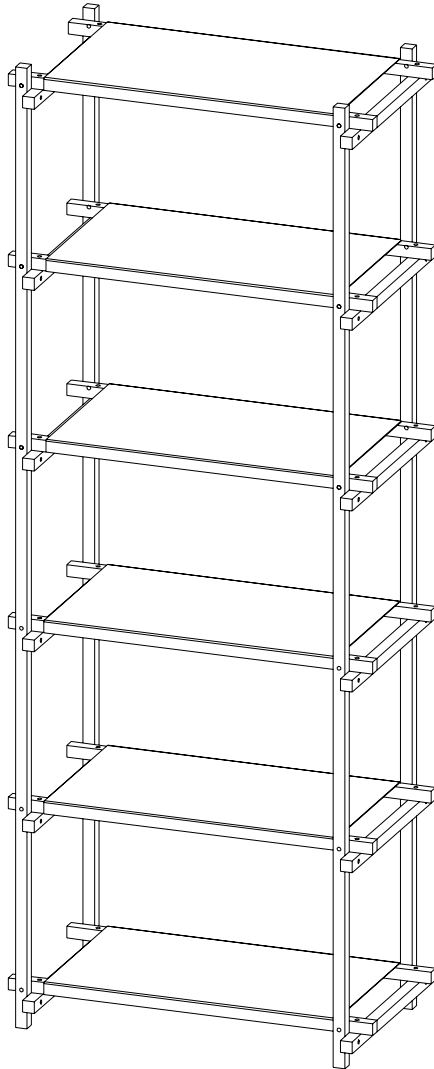
4.

Place the **D** parts on top of the **C** parts.

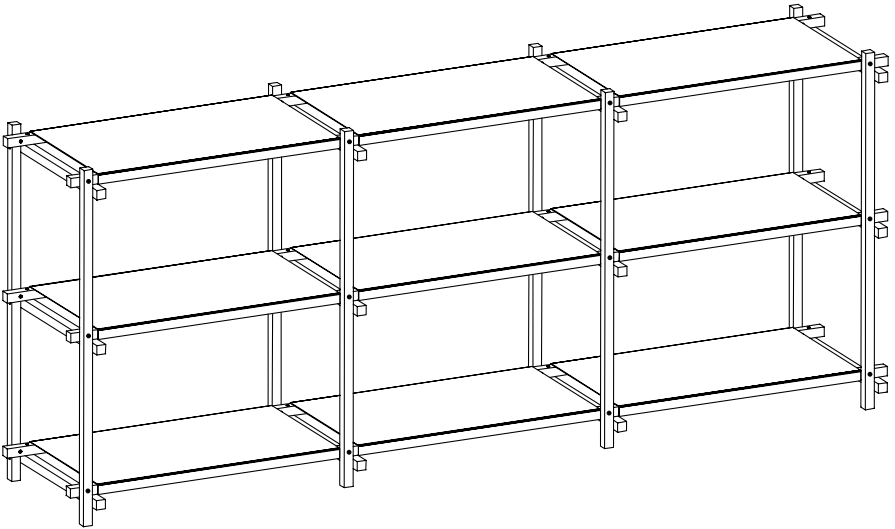


5.

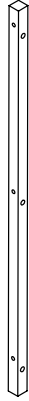
Done!



LOW



- PARTS -



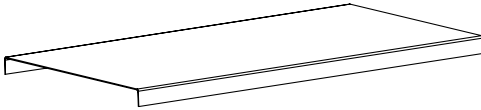
A Upright x8



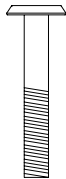
B Ledger x12



C Ledger x6



D Shelf x9



E Screw x72



F Cap x72



G Allen key x1

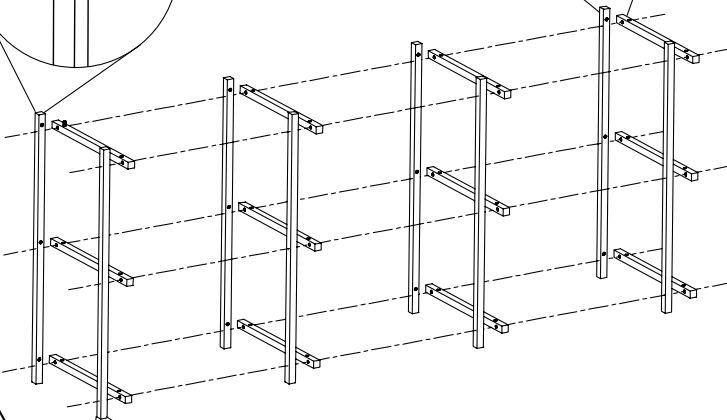
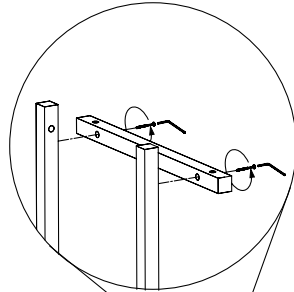
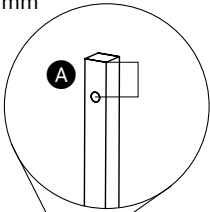
1.

Place the **B** parts on the **A** parts and tighten the screw gently.



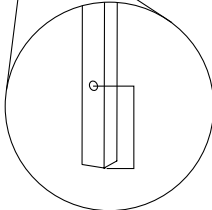
NOTICE

Top distance
37,5 mm



NOTICE

Bottom distance
52,5 mm



NOTICE

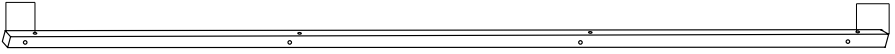
Please wait to fully tighten
the screws until step 3.

2.

Place the **C** parts on top of the **B** parts and gently tighten the screw.
2 persons are recommended to complete this step.

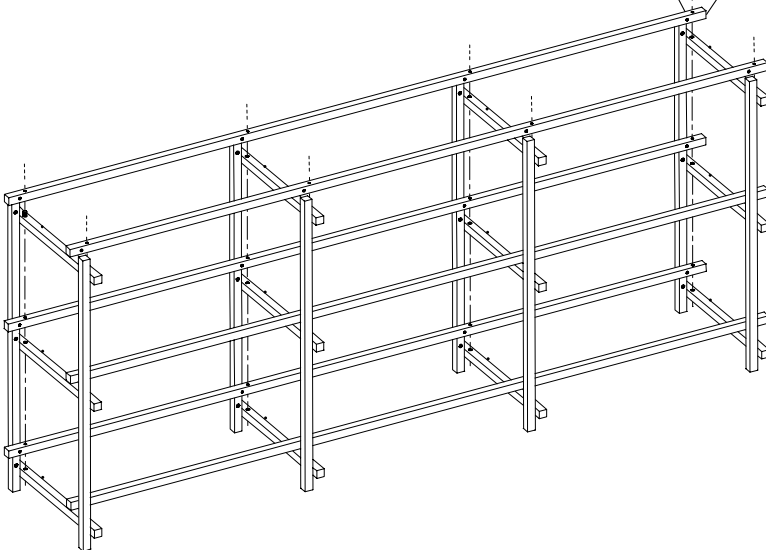
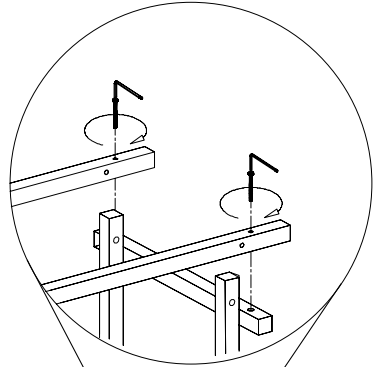
62,5mm

37,5mm



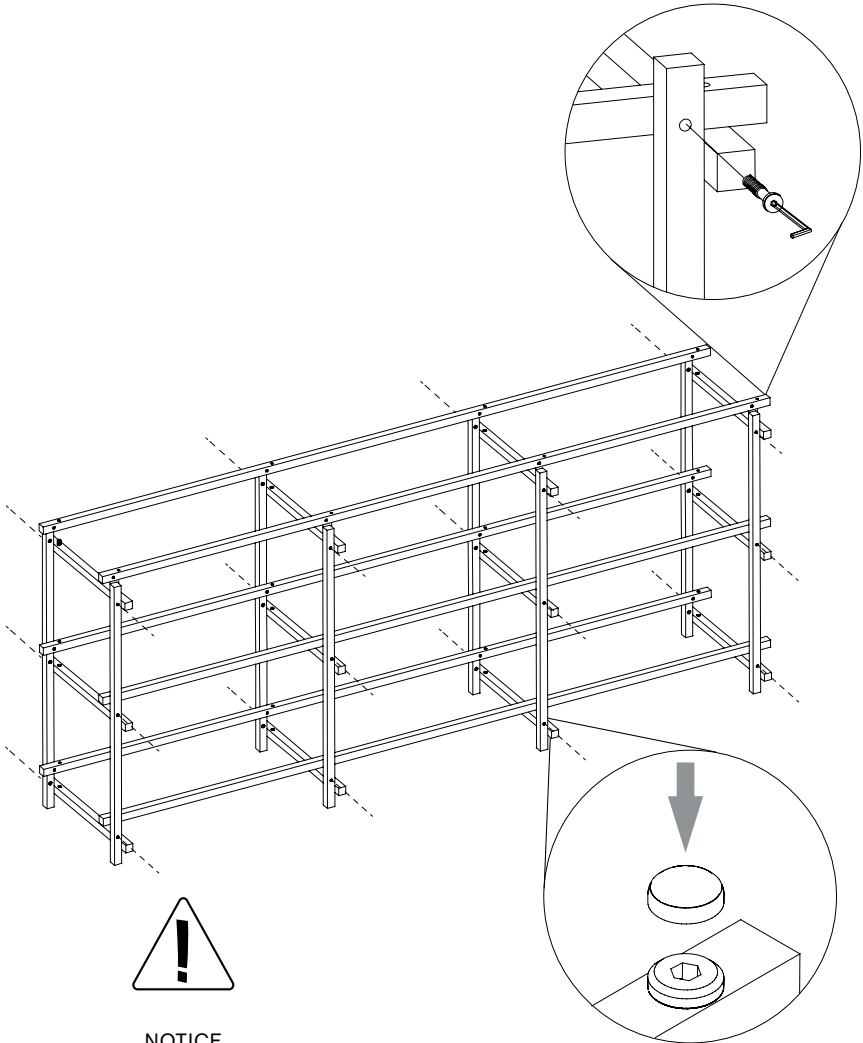
NOTICE

Please make sure to place all **C** parts in the same direction



3.

Place the screws to connect the **A** part and **C** part. Tighten the screw gently. When all screws are placed and fully tightened, place the **F** on the screw heads.

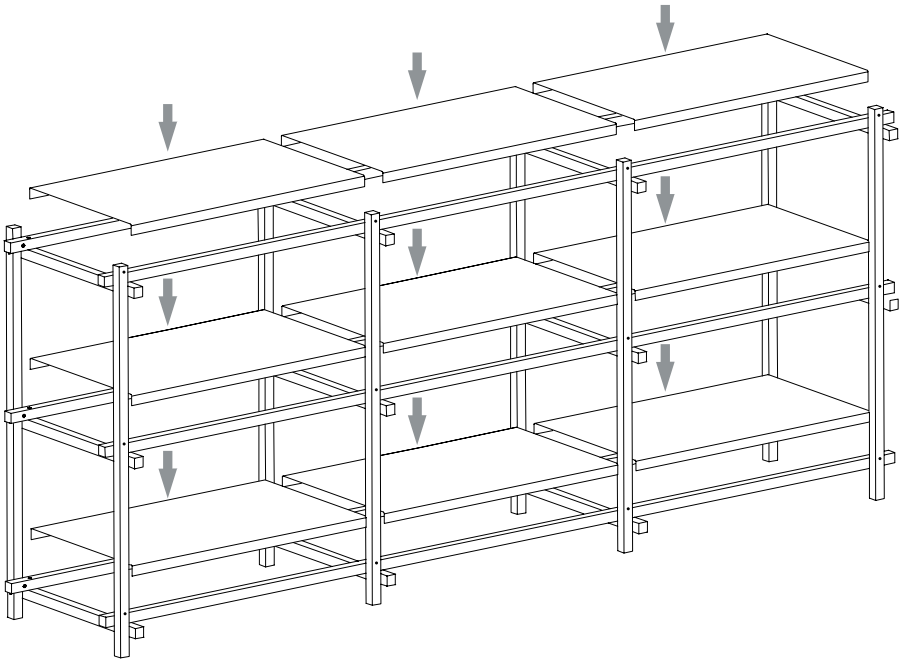


NOTICE

Please make sure to tighten all screws fully before placing the **F** part

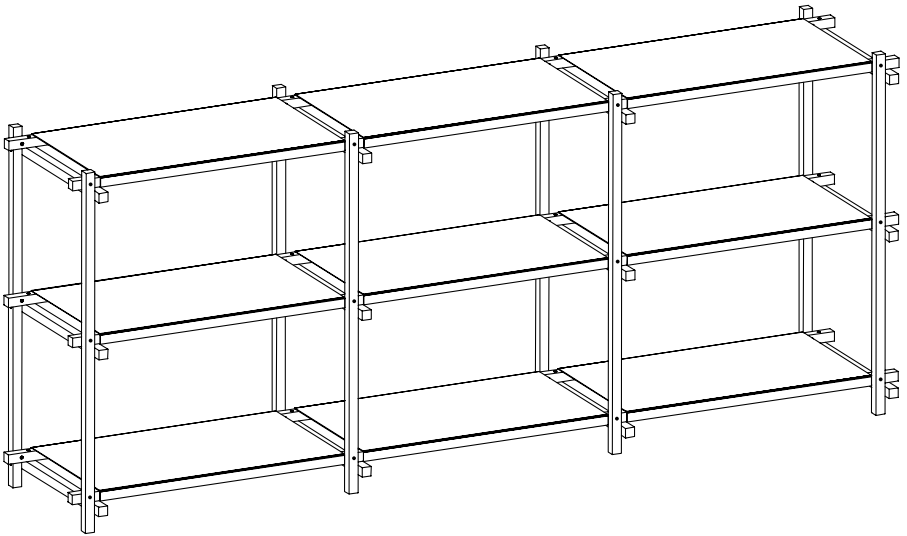
4.

Place the **D** parts on top of the **C** parts.

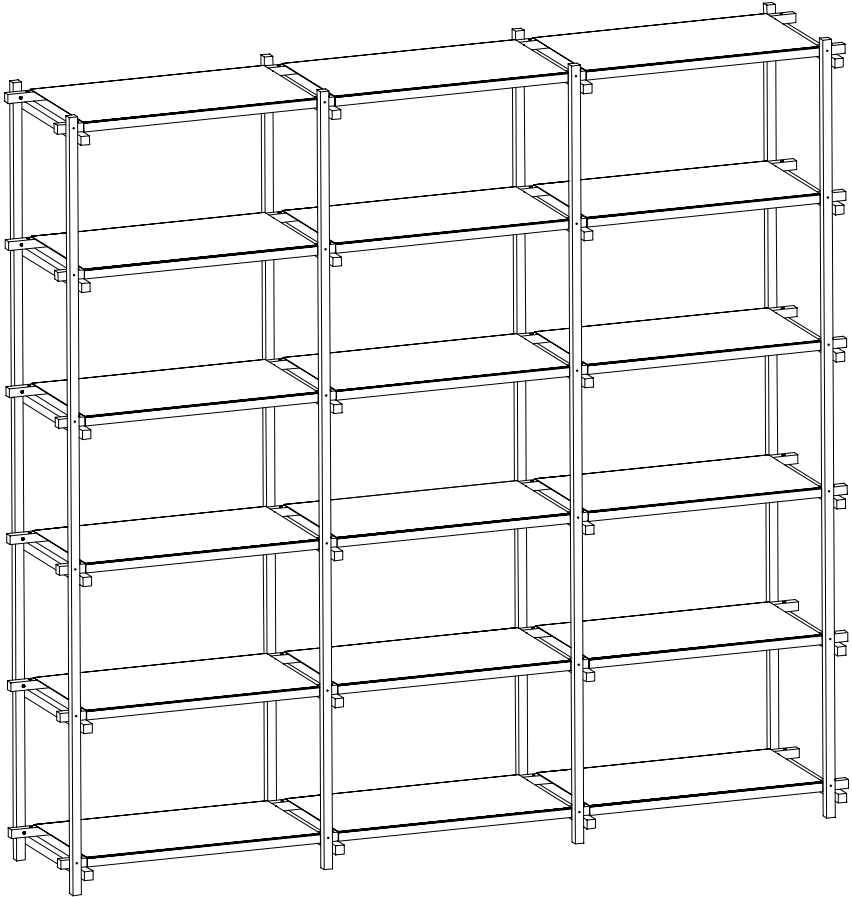


5.

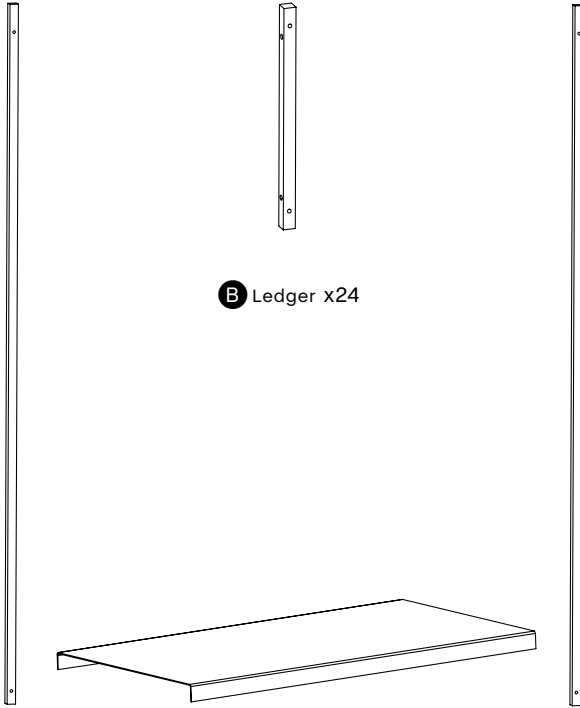
Done!



HIGH



- PARTS -

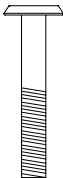


B Ledger x24

A Upright x8

D Shelf x18

C Upright x12



E Screw x144



F Cap x144



G Allen key x1

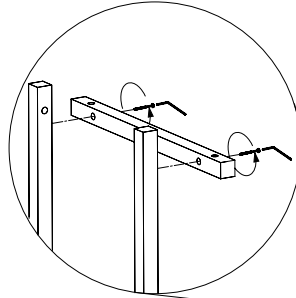
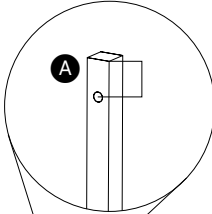
1.

Place the **B** parts on the **A** parts and tighten the screw gently.



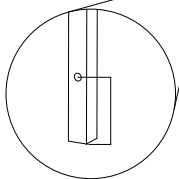
NOTICE

Top distance
37,5 mm



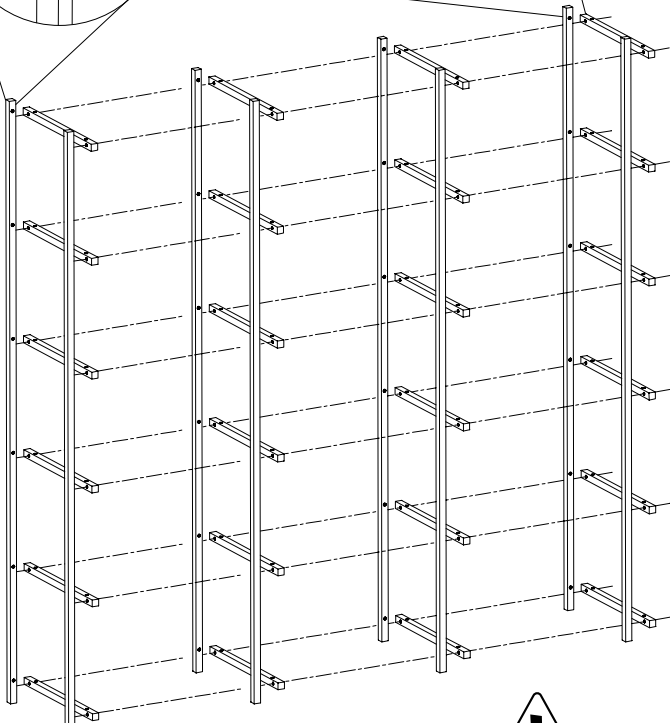
NOTICE

Bottom distance
52,5 mm



NOTICE

Please wait to fully tighten
the screws until step 3.

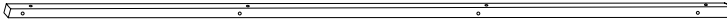


2.

Place the **C** parts on top of the **B** parts and gently tighten the screw.
2 persons are recommended to complete this step.

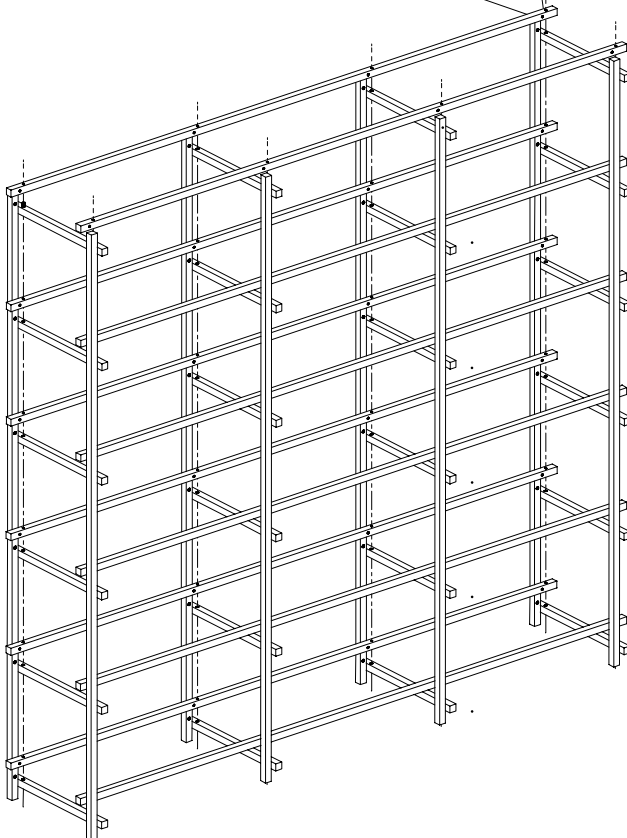
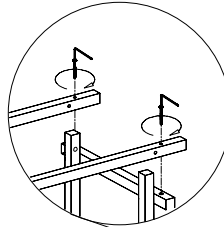
62,5mm

37,5mm



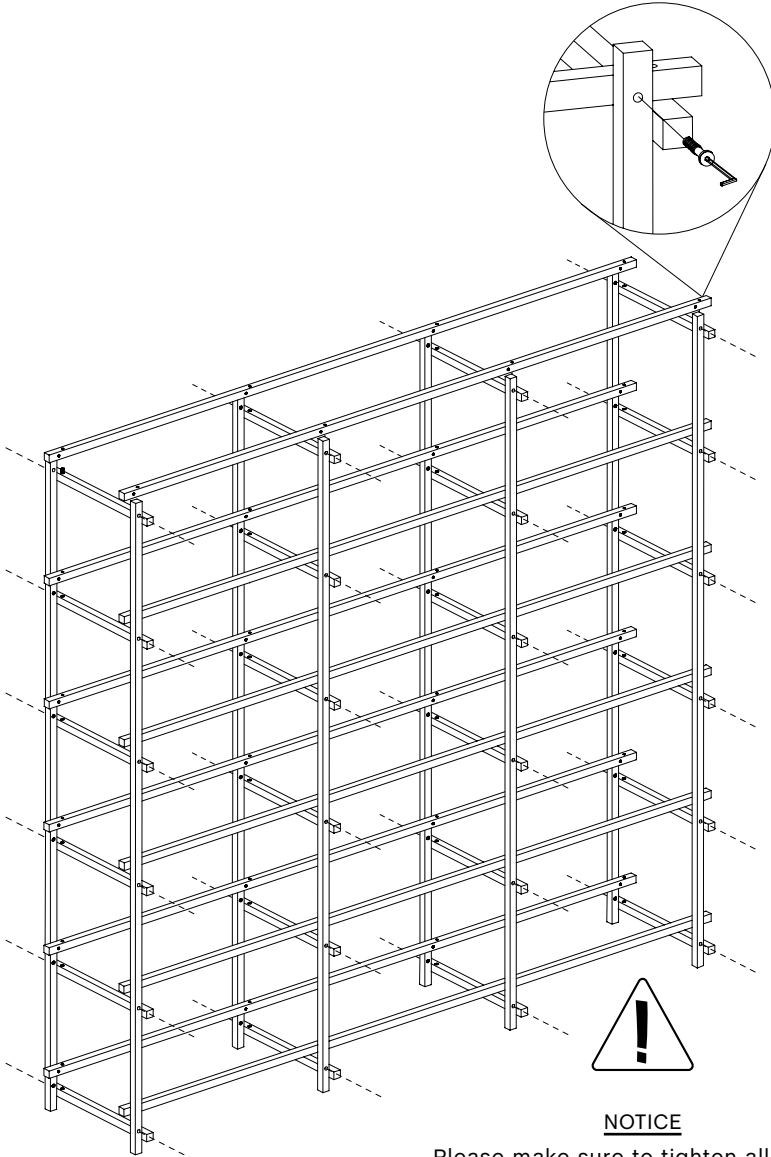
NOTICE

Please make sure to place all **C** parts in the same direction



3.

Place the screw to connect the **A** part and **C** part. Tighten the screw gently. When all screws are placed and fully tightened, place the **F** on the screw heads.

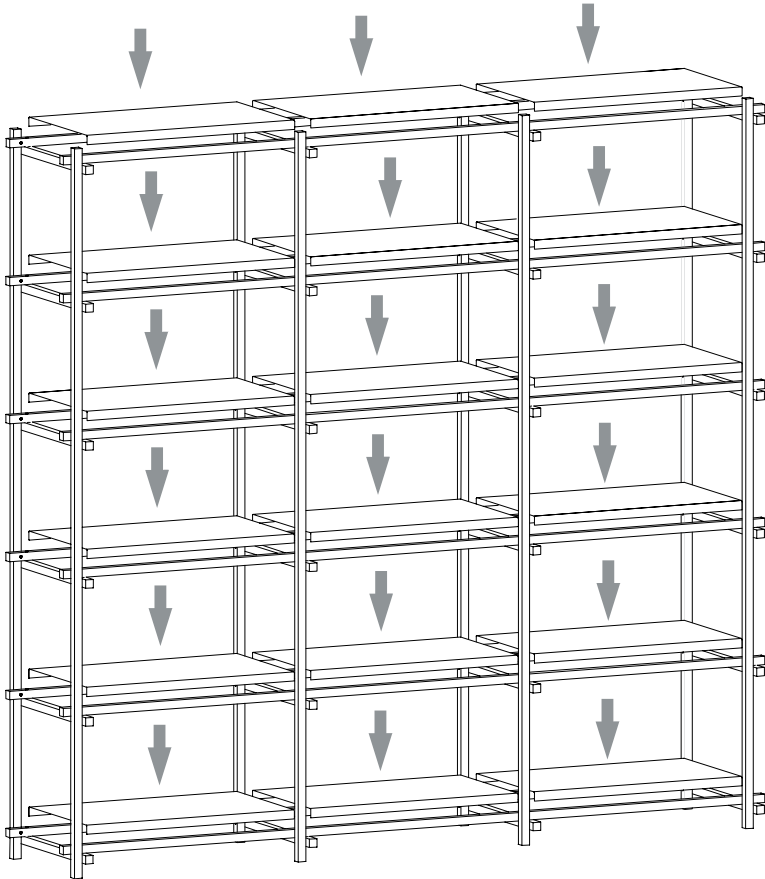


NOTICE

Please make sure to tighten all screws fully before placing the **F** part

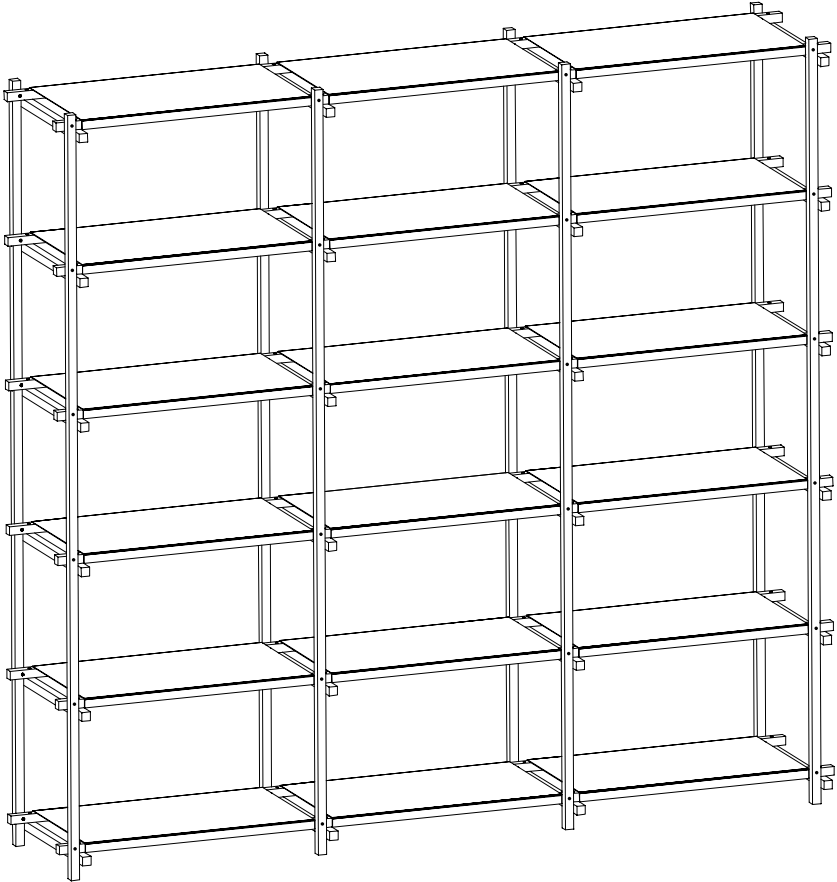
4.

Place the **D** parts on top of the **C** parts.



5.

Done!



- CARE & MAINTENANCE -

Our Care & Maintenance offers guidance for optimal maintenance of your HAY product. It includes advice and instructions on cleaning and caring for specific materials to prolong the life of your furniture.

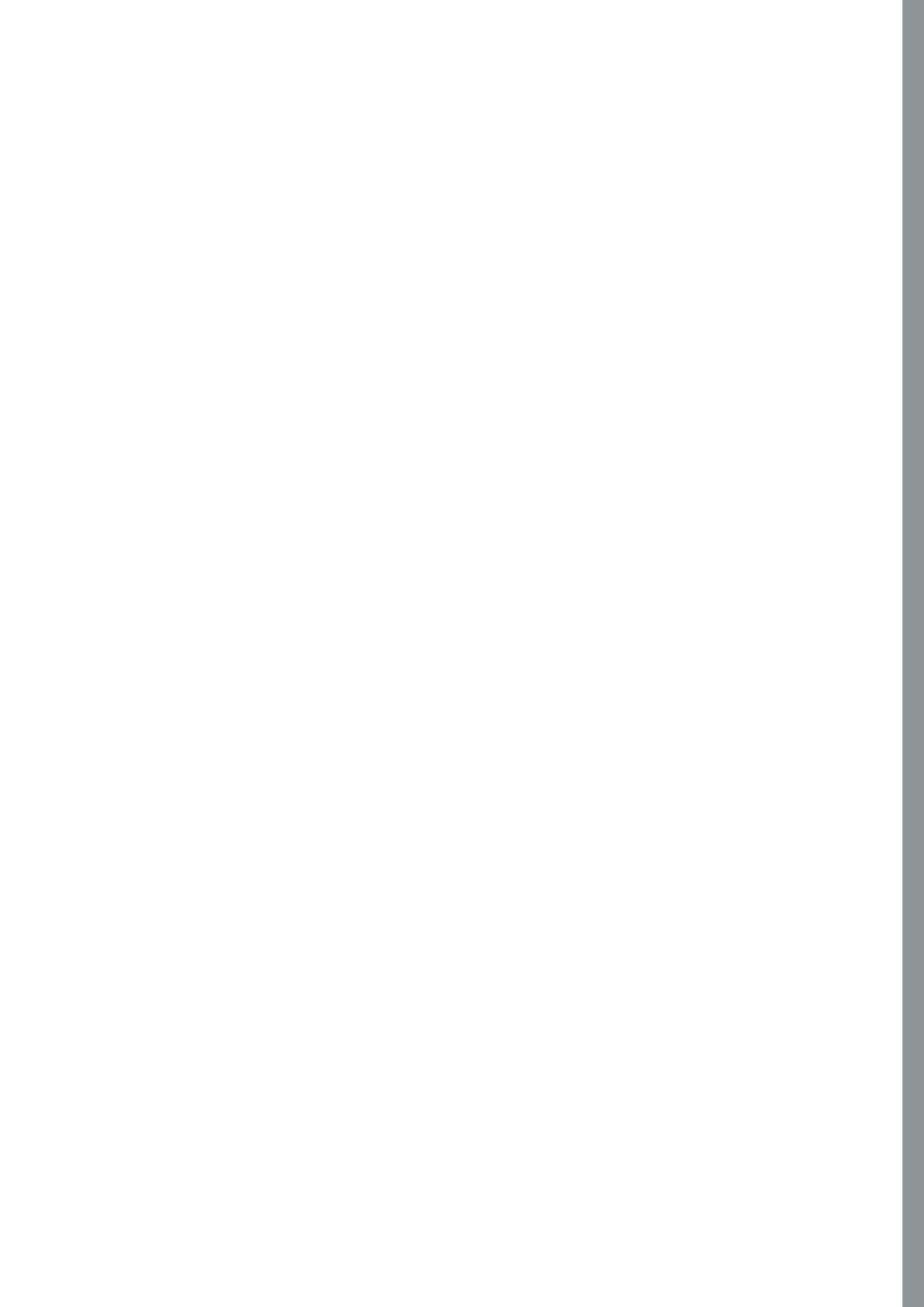


Please find our Care & Maintenance guide by scanning the QR code



You can find more relevant information on Woody by scanning the QR code

You can also find the same information here
hay.dk/downloads



Havnen 1 8700 Horsens Denmark
+45 4282 0282 / hay@hay.com

01/11/2021

HAY