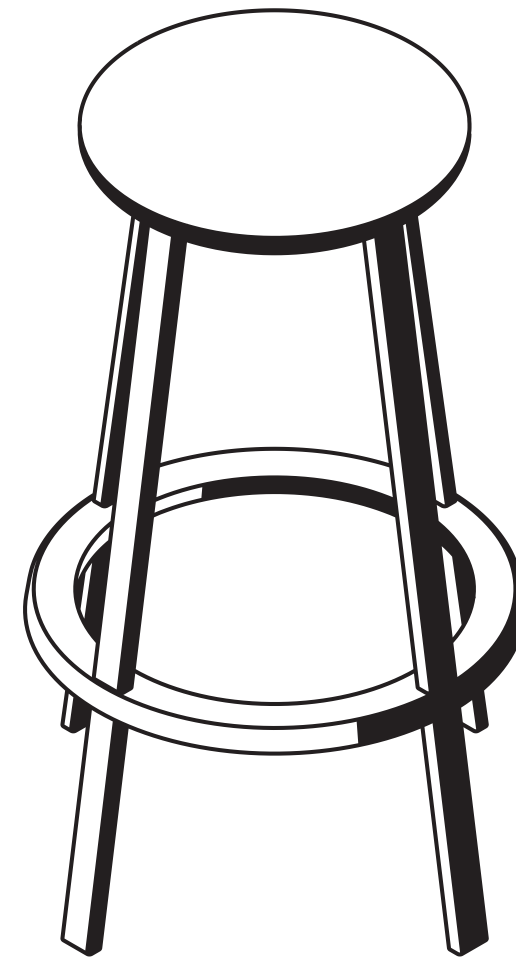


# WH

---

## Revolver

Leon Ransmeier



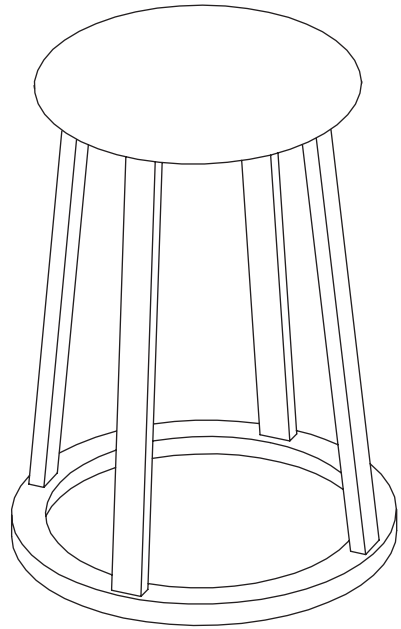
---

**Contact:**  
34 Queen Anne's Gate,  
SW1H 9AB London, UK  
info@wrongforhay.com  
wrongforhay.com

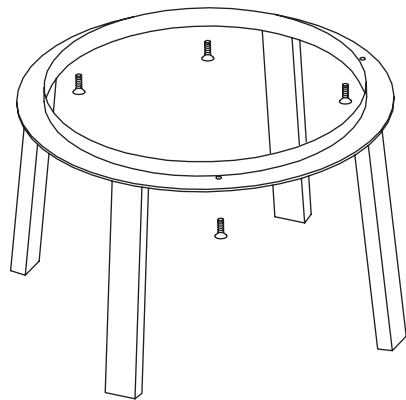
WRONGFORHAY.COM

### Revolver

Rotating barstool allows the seat to turn 360° with the footrest, ideally suited to both contract and residential use.



A



B

### Please Note:

In order to guarantee stability and longevity of the article, periodically check the bolts are correctly tightened.

The product is not suitable for outdoor use.

Avoid contact with heat sources.

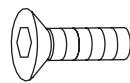
For major maintenance or repairs, consult the retailer.

Please do not stand on the foot rail.

Once the product or its components are no longer used, make sure that they are disposed of correctly through the public waste disposal services.

### Cleaning Guidelines:

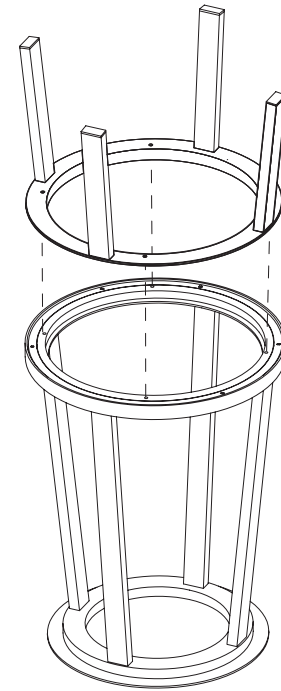
The stool frame should first be dry dusted with a clean lint free cotton cloth. If wet cleaning is required then the item should be cleaned using a soft, slightly damp sponge with a mild detergent and water solution.



C

### Step 01

Place section A upside down on a protected surface. Now place section B upside down on top of section A aligning the 6 holes on section B and on the exposed bearing.



### Step 02

Now using the bolts provided to fix the two parts together, making sure that you partially tighten the bolts in turn until all are fully tightened.

