

Tolomeo Micro Pinza LED 3000K



IP20

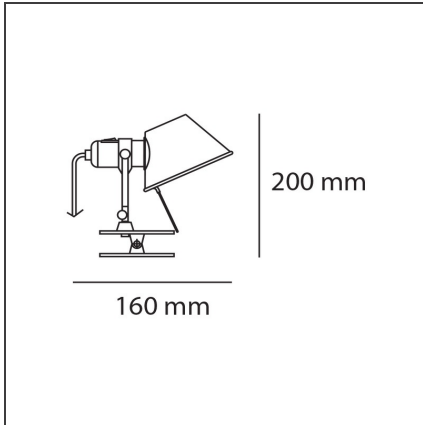
DESIGN BY

Michele De Lucchi, Giancarlo Fassina

DESCRIPTION

Support in polished aluminium, diffuser in matt anodised aluminium; steel pincer grip.

TECHNICAL DRAWINGS



FEATURES

Article Code:	A0438W00	Material:	Aluminium, steel
Colour:	Aluminium	Series:	Design
Installation:	Wall		

DIMENSIONS

Height:	cm 20
Depth:	cm 16

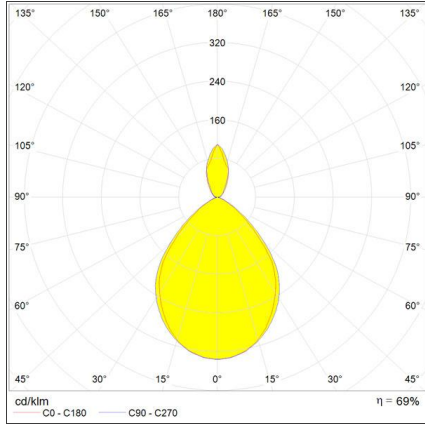
INCLUDED SOURCES

Category:	LED	Color temperature (K):	2700K
Number:	1	CRI:	90
Watt:	9W		
Type:	0		
Class:	A		

LUMINAIRE

Power Supply:	Electronic Dimmable Remote	Delivered lumens output (lm):	461lm
Transformer availability:	Remote	CCT:	2700K
Watt:	9W	Efficiency:	63%
Voltage:	24V	Efficacy:	51lm/W
		CRI:	90
		Dimmer Typology:	Microswitch Dimmer

LIGHT DISTRIBUTION



We reserve the right to change our product specifications.
Please visit www.artemide.com for the latest product information

June 2018