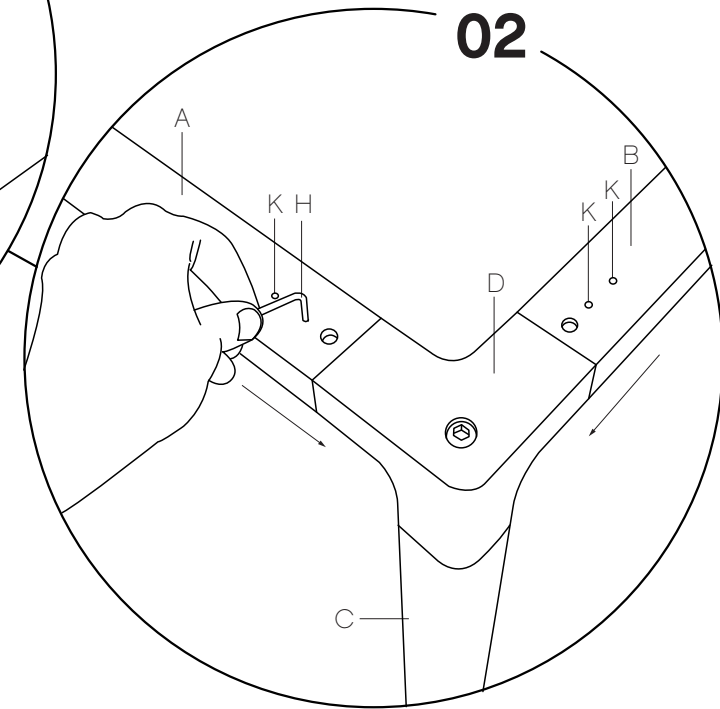
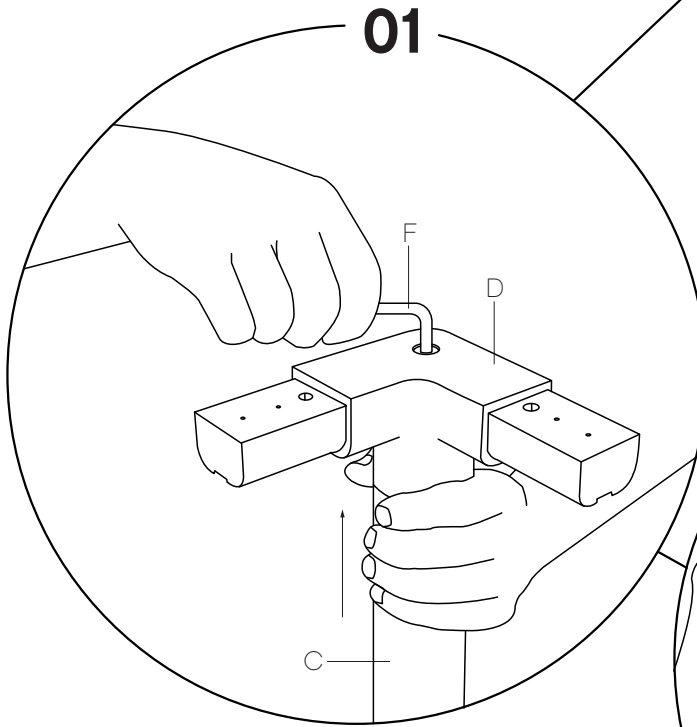
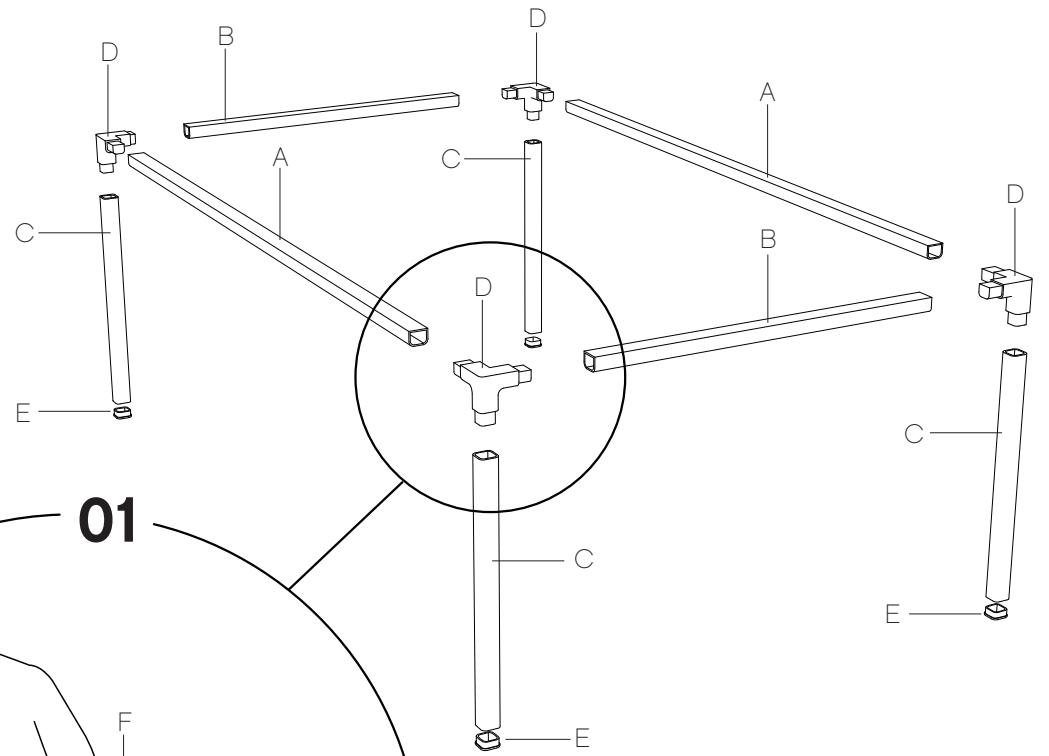
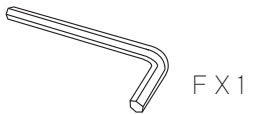
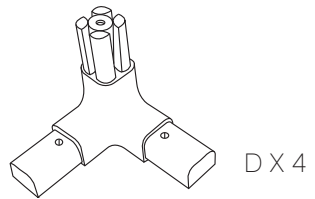
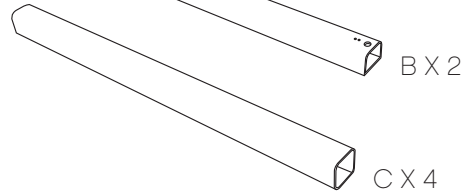
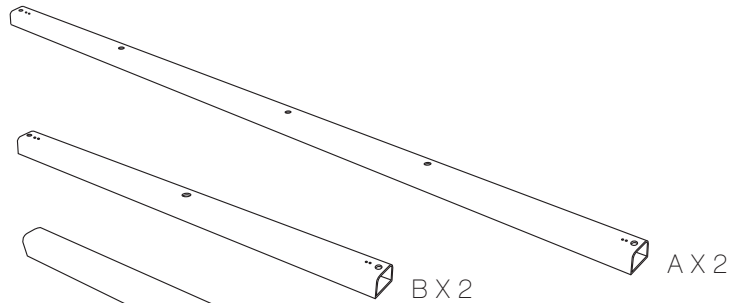
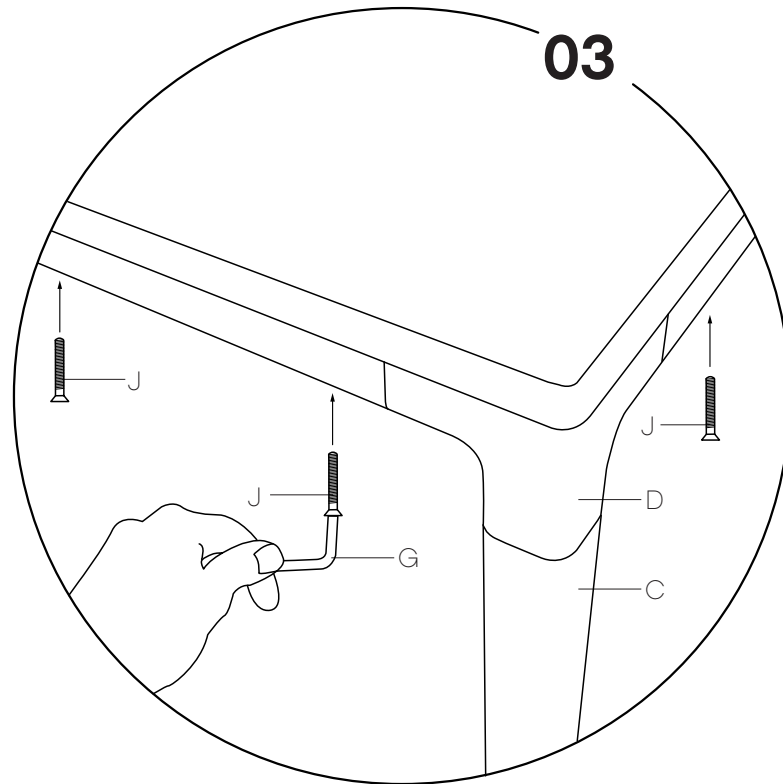
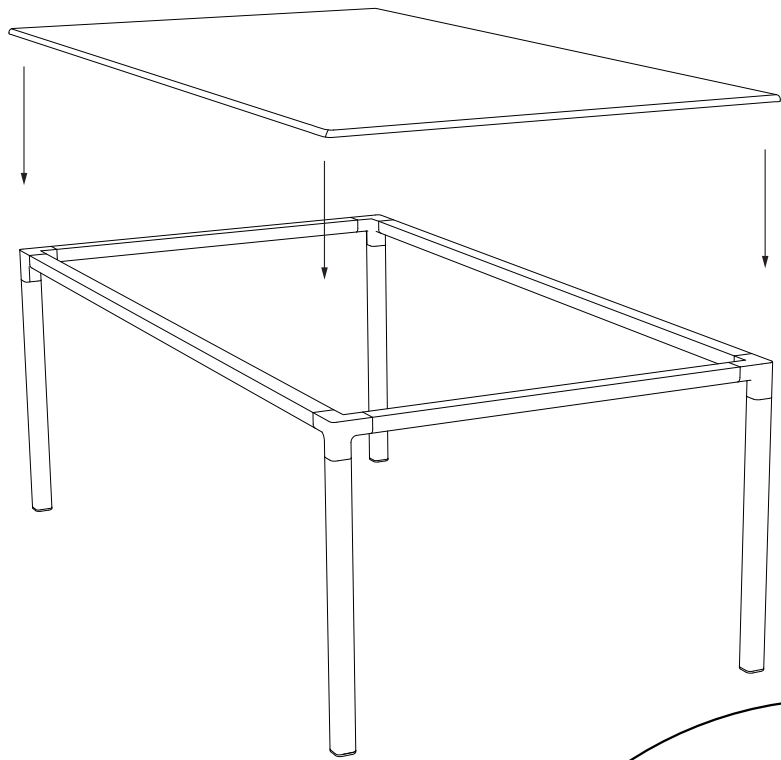


ASSEMBLY INSTRUCTION

T12 TABLE





ASSEMBLY INSTRUCTION T12 TABLE

PLEASE NOTE

When disassembling the corner of the table

STEP 01 Loosen the screw

STEP 02 Bash firmly on the screw with a rubber head hammer or something similar that will not break the screw

STEP 03 Pull of the leg

