

Designed by Greta Grossman

PRODUCT



Item no.: 005-0630
 + style code:
 - 1: Jet Black
 - 5: Matt White

DESCRIPTION

The classic Cobra lamp takes its name from the shape of the oval shade, which is reminiscent of a Cobra's neck (or hood). A solid brass arm joins the wall base and shade. The shade can be tilted 90 degrees from vertical to horizontal and it can be rotated 360 degrees. The base cover and the shade is in powder-coated steel. A bracket for the mounting on the wall is integrated in the base. Switch integrated in the base.

VERSION - COBRA WALL LAMP

- Fabric wire - black:
 - Jet Black / White inside // RAL 9005 / RAL 9003 // Gloss level 20 / Gloss level 20

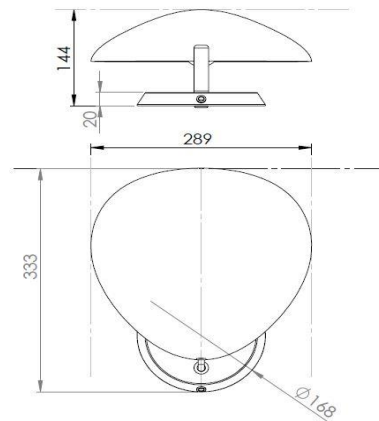
- Fabric wire - white:
 - Matt white / White inside // RAL 9003 / RAL 9003 // Gloss level 20 / Gloss level 20

VERSION - COBRA WALL LAMP

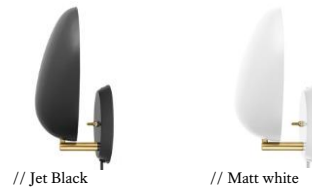
Order item - look for part number in the pricelist.

Series contains the following:

GM1 GRÄSHOPPA
 GM2 COBRA TABLE
 GM3 COBRA FLOOR
 GRÄSHOPPA TASK TABLE LAMP
 GRÄSHOPPA PENDANT
 COBRA WALL LAMP



COLORS



// Jet Black

// Matt white

FACTS

MEASUREMENT - *L x W x H inches*

Lamp height: 13,1 inches
 Lamp depth: 5,6 inches
 Wall base diameter: dia. 6,6 inches
 Wall base height: 0,8 inches
 Shade height: 3 inches
 Shade depth: 11,4 inches
 Cable length, exposed: Approx. 98,4 inches

WEIGHT ITEM - *LAMP INCL. WIRE*

2,7 lb

PACKAGING TYPE

Cardboard box

PACKAGING MEASUREMENT - *L x W x H inches*

L: 14,9 x W: 13,4 x H: 8,3 inches

WEIGHT PACKAGING - *MATERIAL TYPE (recyclable)*

- LD-EPE foam: 4,7 oz
 - EPE bag: 0,4 oz
 - PE polybag: 0,2 oz
 - Cardboard inside: 7,7 oz
 - Cardboard outside, 5ply Corrugated: 1,6 lb

WEIGHT INCL. PACKAGING - *TOTAL*

5,2 lb

NUMBER OF PARCELS

1 pcs.

ACCESSORIES

-

ENVIRONMENT

-

TESTS

-

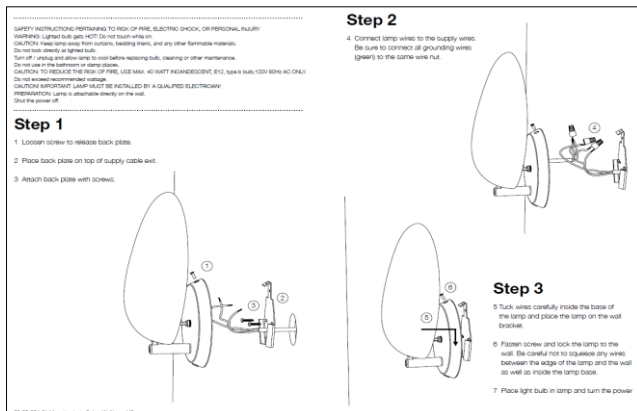
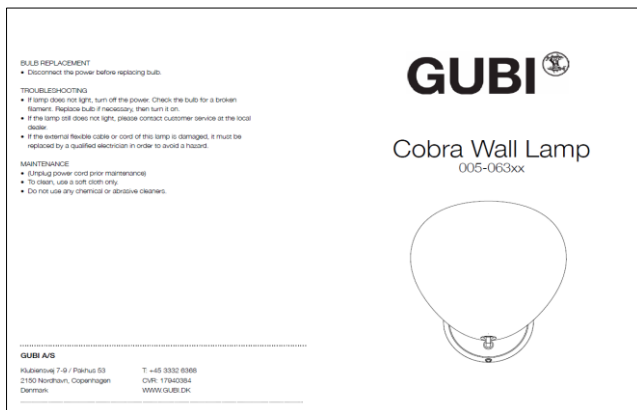
CERTIFICATION AND LABELS

-

SAFETY INSTRUCTIONS

If the cord or plug is damaged, unplug it from the socket with dry hands. Do not use the lamp until it is repaired by a qualified Electrician.

Instructions document: No. 53-20-004-01



Bulb requirements:

- Socket: E12 base
- Recommended light source: All fluorescent light bulbs
- Recommended wattage: 9 W
- Max wattage: 13 W
- Recommended light source: Halogen light bulb
- Recommended wattage: 28 W
- Max wattage: 30 W

*Lighbulb not included

- US plug: Type A, 2 PIN, 15 amp, (NEMA 1-15)

- US voltage: 120 V

- Frequency: 60 Hz

- Supply voltage: AC power ~

- Normally Closed: IP20



Class II / Double insulated



Luminaires accepted for mounting on a flammable base