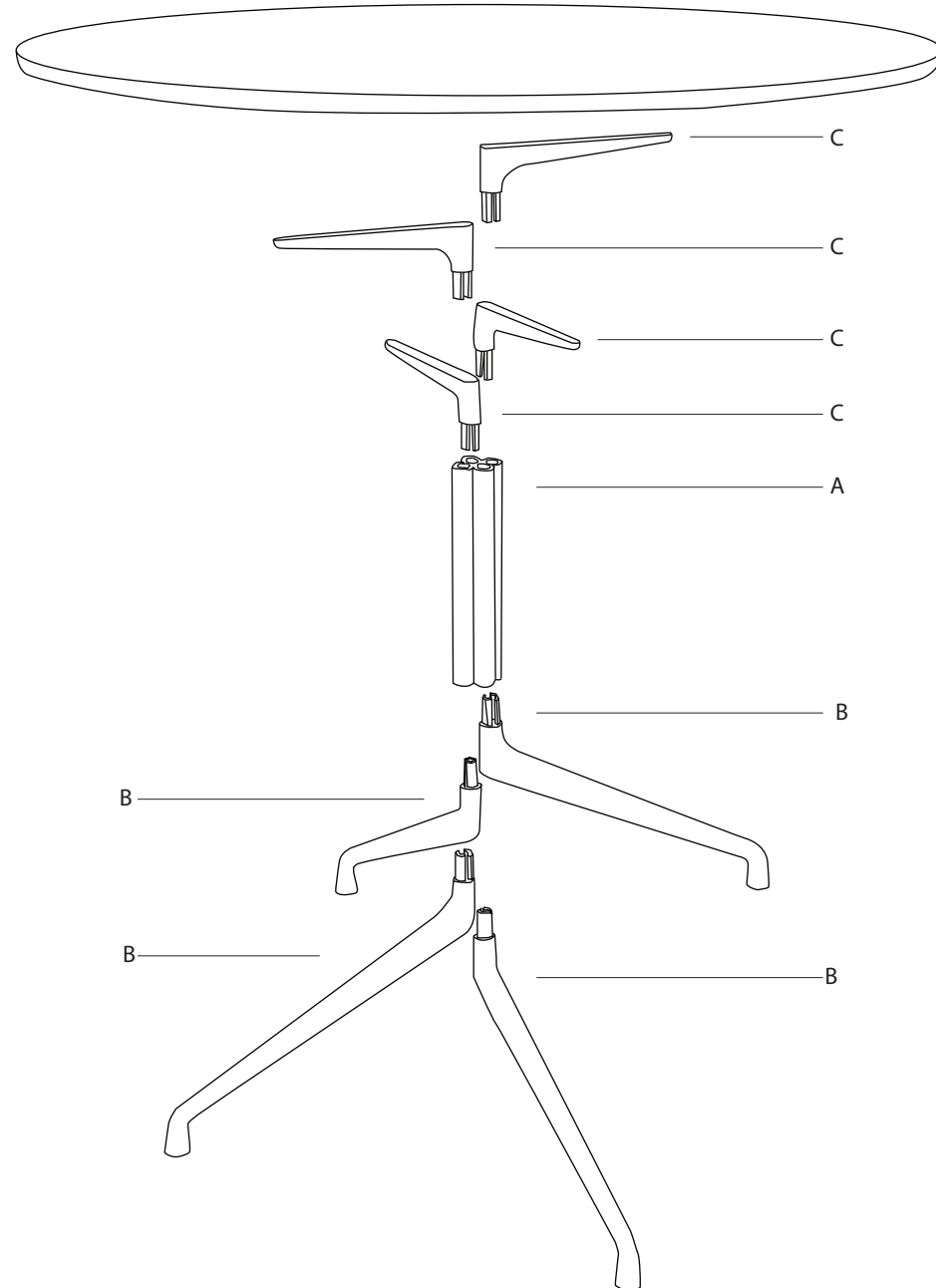
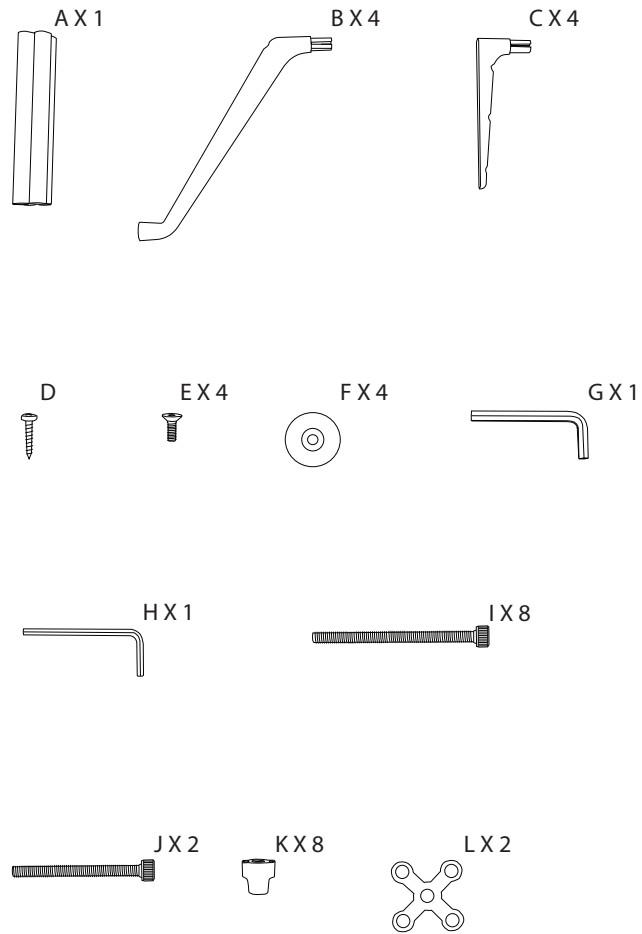
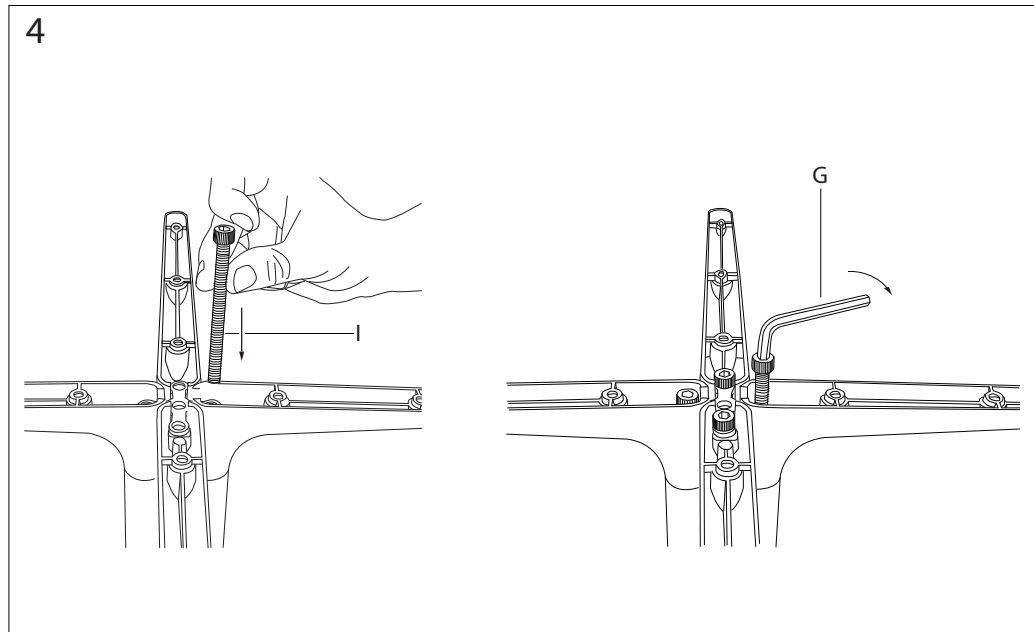
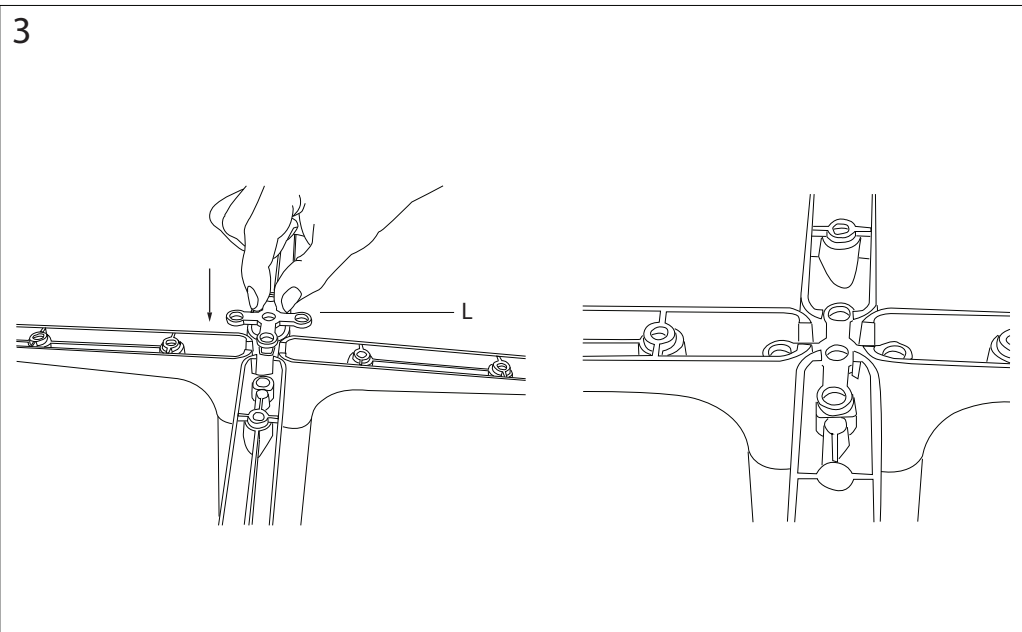
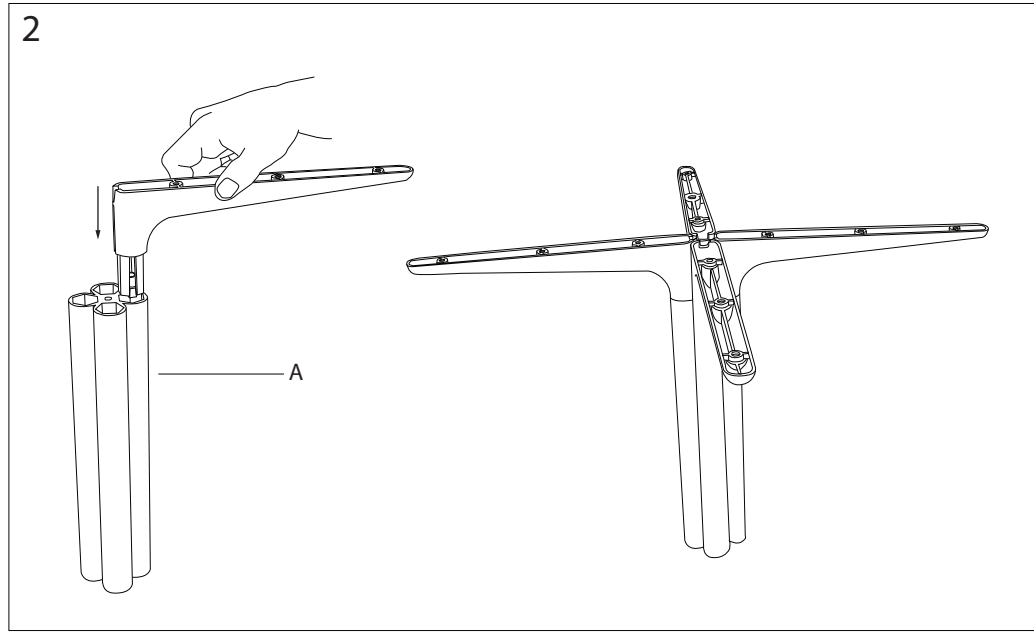
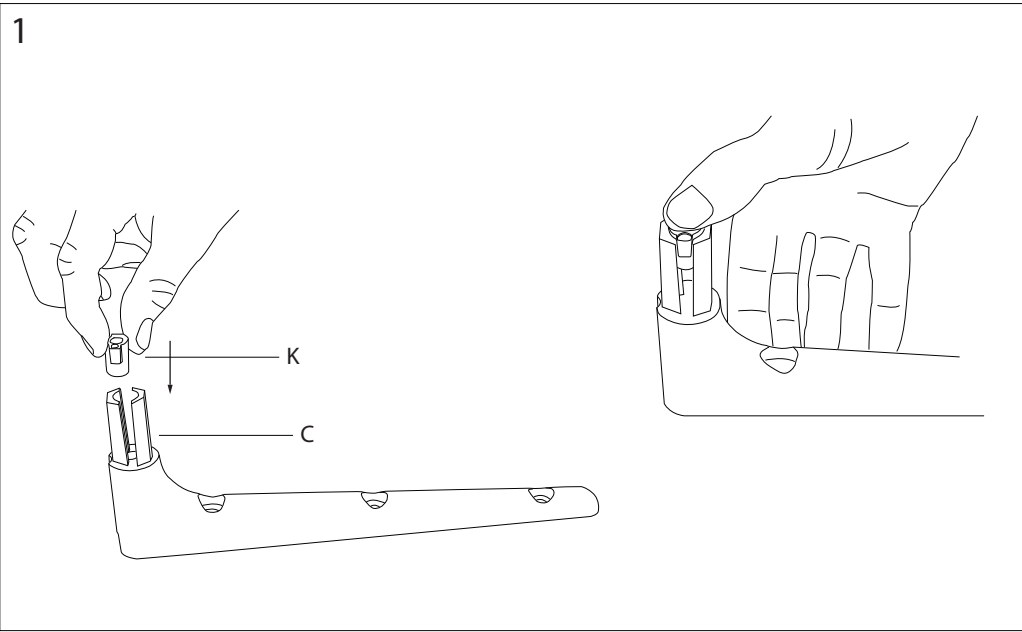
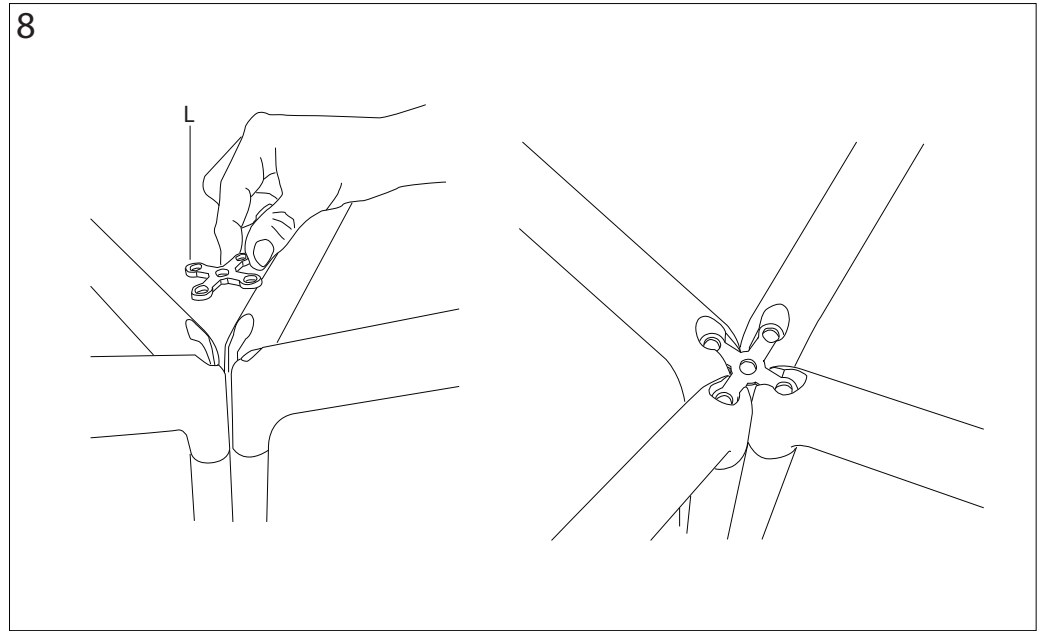
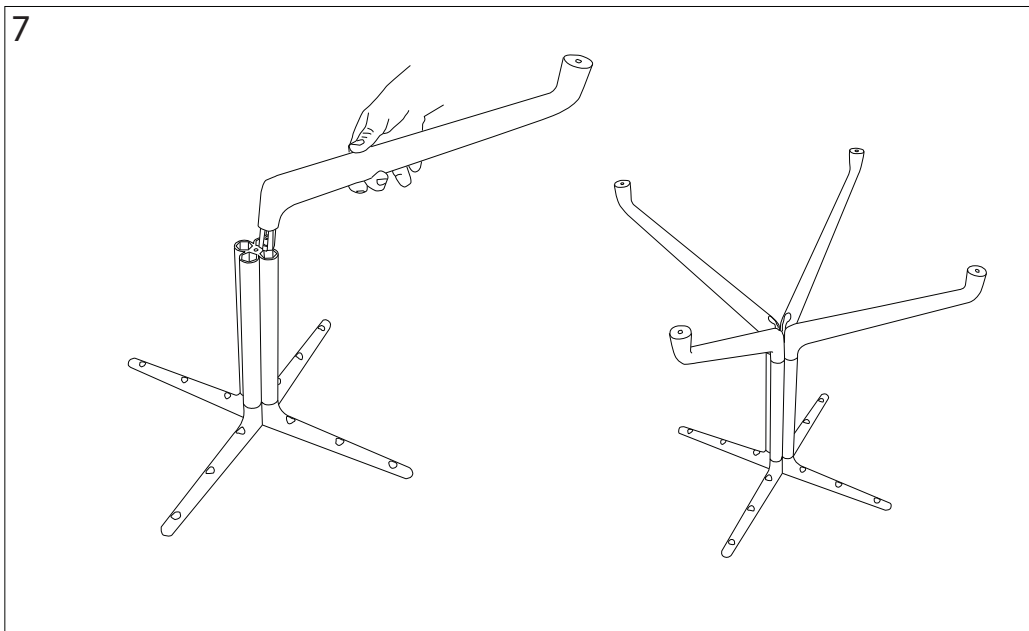
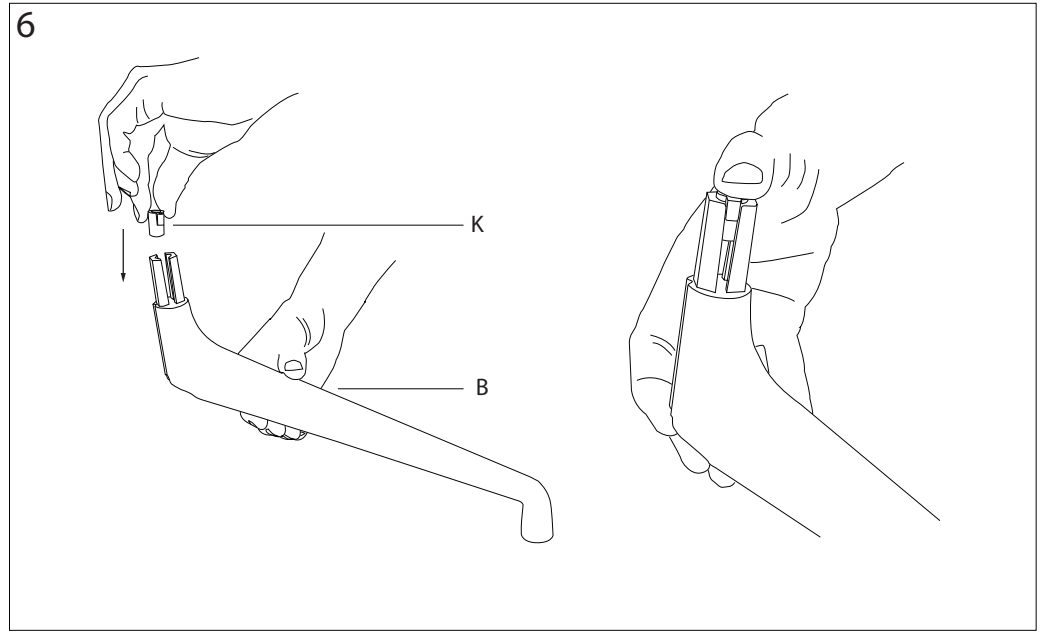
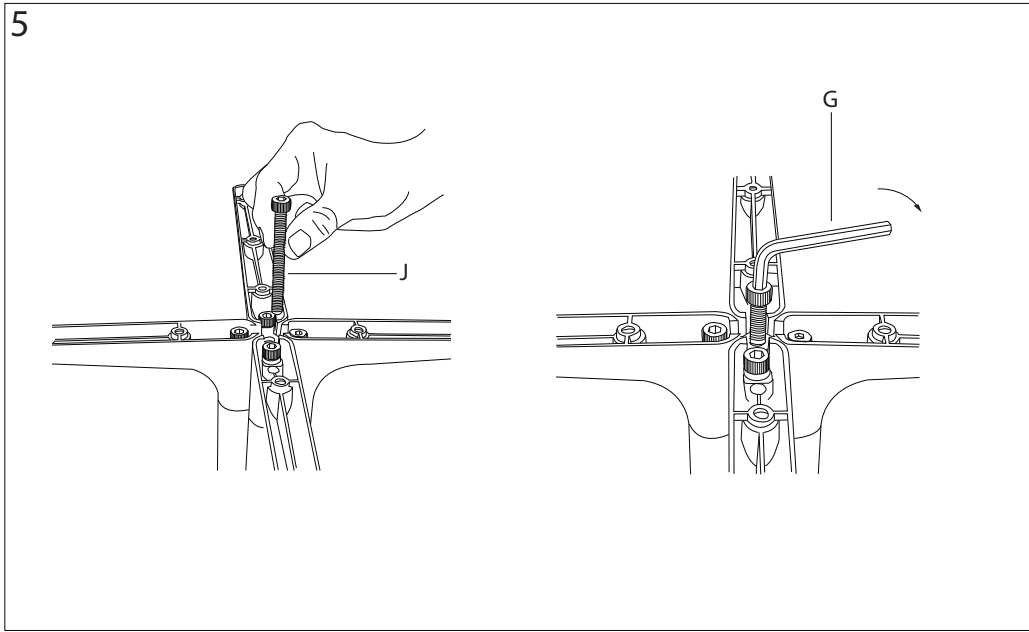


# ASSEMBLY INSTRUCTION ABOUT A TABLE

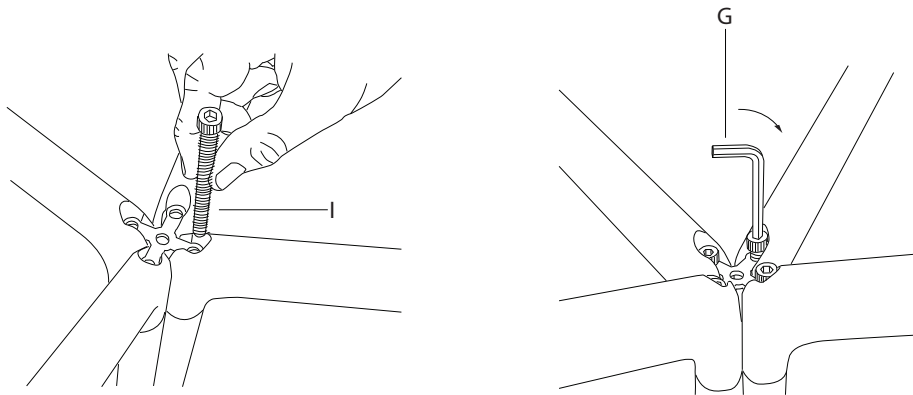


**HAY**

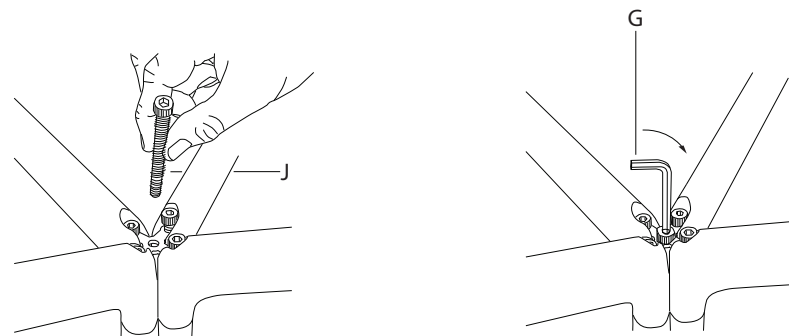




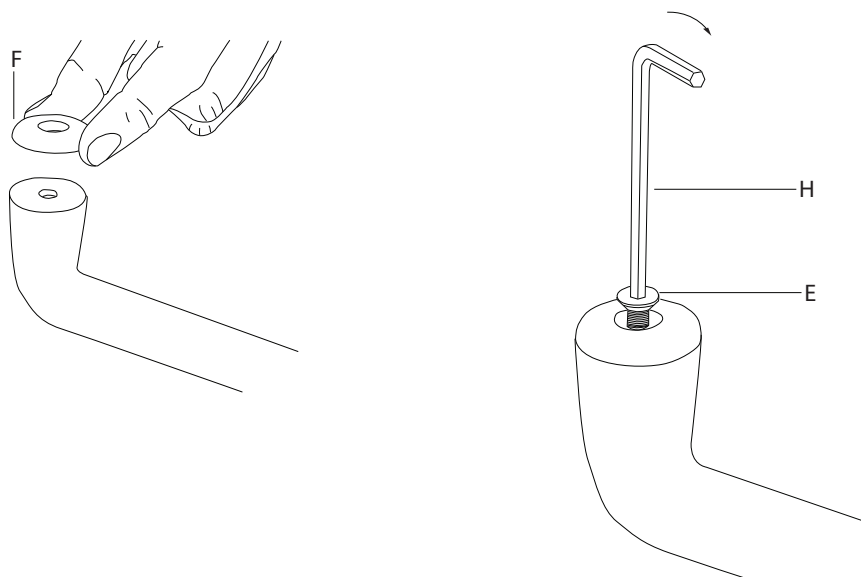
9



10



11



12

